

**Bimetal thermometers
for heating, ventilation and air-conditioning**

EN

**Bimetall-Thermometer
für Heizungs-, Klima- und Lüftungstechnik**

DE

**Thermomètres bimétalliques
pour le chauffage, la ventilation et la climatisation**

FR

**Termómetros bimetálicos
para la calefacción, ventilación y climatización**

ES



Model A43



Model E45



Model A46



Model A48



Model A50



Model A51

EN	Operating instructions bimetal thermometers	Page	3 - 22
DE	Betriebsanleitung Bimetall-Thermometer	Seite	23 - 42
FR	Mode d'emploi thermomètres bimétalliques	Page	43 - 62
ES	Manual de Instrucciones de termómetros bimetalicos	Página	63 - 81

© 08/2009 WIKA Alexander Wiegand SE & Co. KG
 All rights reserved. / Alle Rechte vorbehalten.
 WIKA® is a registered trademark in various countries.
 WIKA® ist eine geschützte Marke in verschiedenen Ländern.

Prior to starting any work, read the operating instructions!
 Keep for later use!

Vor Beginn aller Arbeiten Betriebsanleitung lesen!
 Zum späteren Gebrauch aufbewahren!

Lire le mode d'emploi avant de commencer toute opération !
 A conserver pour une utilisation ultérieure !

¡Leer el manual de instrucciones antes de comenzar cualquier trabajo!
 ¡Guardar el manual para una eventual consulta!

Contents

1. General information	4
2. Design and function	5
3. Safety	6
4. Transport, packaging and storage	9
5. Commissioning, operation	10
6. Faults	15
7. Maintenance and cleaning	16
8. Dismounting, return and disposal	17
9. Specifications	18

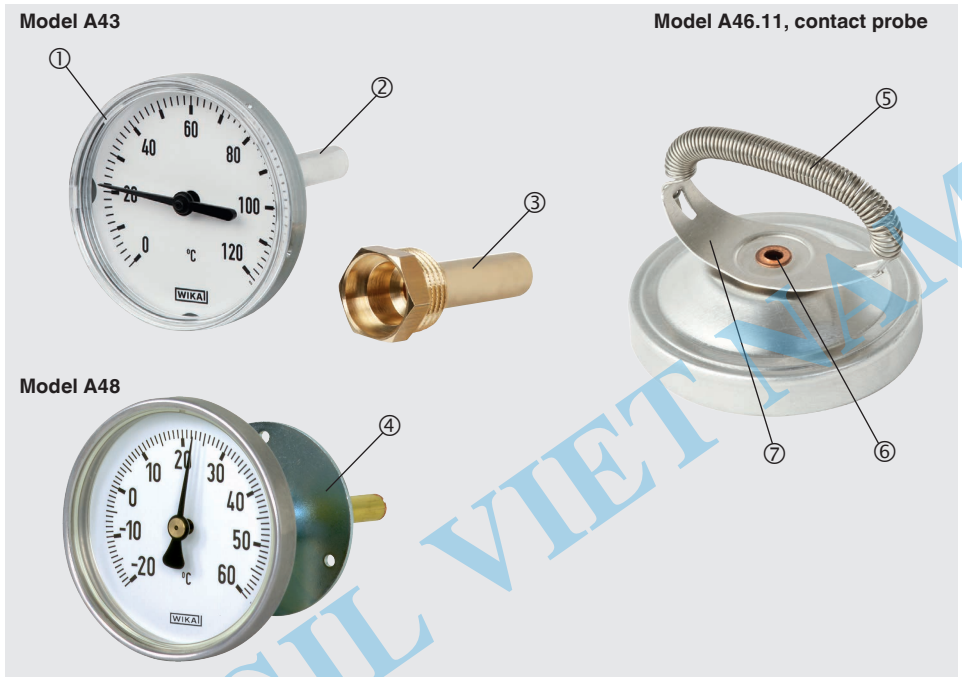
1. General information

EN

- The bimetal thermometers described in the operating instructions have been manufactured using state-of-the-art technology. All components are subject to stringent quality and environmental criteria during production. Our management systems are certified to ISO 9001 and ISO 14001.
- These operating instructions contain important information on handling the instrument. Working safely requires that all safety instructions and work instructions are observed.
- Observe the relevant local accident prevention regulations and general safety regulations for the instrument's range of use.
- The operating instructions are part of the product and must be kept in the immediate vicinity of the instrument and readily accessible to skilled personnel at any time. Pass the operating instructions on to the next operator or owner of the instrument.
- Skilled personnel must have carefully read and understood the operating instructions prior to beginning any work.
- The general terms and conditions contained in the sales documentation shall apply.
- Subject to technical modifications.
- Further information:
 - Internet address: www.wika.de / www.wika.com
 - Relevant data sheet: TM 43.01 (model A43)
TM 45.02 (model E45)
TM 46.02 (model A46)
TM 48.01 (model A48)
TM 50.03 (model A50)
TM 51.01 (model A51)

2. Design and function

2.1 Overview (example)



- ① Case and dial
- ② Stem
- ③ Thermowell
- ④ Mounting flange
- ⑤ Mounting clip
- ⑥ Temperature sensor
- ⑦ Attachment plate

2.2 Description

The bimetal thermometers described here are used for simple temperature indication, predominantly in the heating, ventilation and air-conditioning industry.

Bimetal thermometers utilise the different properties of two metals for temperature measurement. These are in the form of thin metal strips laid on top of each other. The design of these thermometers is very simple. The combined metal strips are arranged around a pointer in a spiral. On a change, the bimetal moves the pointer and indicates the temperature on a scale.

2. Design and function / 3. Safety

The models A43, E45, A46, A50 and A51 are particularly suited to application in heating technology.

EN

For applications in ventilation and air-conditioning, the models A48 and A51 are available.

2.3 Scope of delivery

Cross-check scope of delivery with delivery note.

Depending on the instrument version, the instrument can be delivered with loose accessory components (e.g. thermowell, mounting flange, mounting clip).

3. Safety

3.1 Explanation of symbols



WARNING!

... indicates a potentially dangerous situation that can result in serious injury or death, if not avoided.



CAUTION!

... indicates a potentially dangerous situation that can result in light injuries or damage to equipment or the environment, if not avoided.



WARNING!

... indicates a potentially dangerous situation that can result in burns, caused by hot surfaces or liquids, if not avoided.



Information

... points out useful tips, recommendations and information for efficient and trouble-free operation.

3.2 Intended use

The bimetal thermometers are mainly used in heating, air-conditioning and refrigeration equipment to monitor the process temperature.

The models A43, A46, A50 and A51 are used for temperature measurements on liquid and gaseous media with the use of a suitable thermowell.

Max. permissible operating pressure at thermowell: 6 bar

Model A46.11 is suitable for the measurement of pipe surface temperatures.

The models A48 and A51 are used in refrigeration and air-conditioning technology for measuring the temperature in air ducts. They are only suitable for the measurement of gaseous, non-hazardous and also non-pressurised media.

When installing, commissioning and operating these instruments, observe the appropriate national safety regulations.

The instruments are not approved for use in hazardous areas!

The instruments are not suitable for outside use and must be protected from direct sunlight and moisture.

The instruments have been designed and built solely for the intended use described here, and may only be used accordingly.

The technical specifications contained in these operating instructions must be observed. Improper handling or operation of the instrument outside of its technical specifications requires the instrument to be taken out of service immediately and inspected by an authorised WIKA service engineer.

The manufacturer shall not be liable for claims of any type based on operation contrary to the intended use.

3.3 Improper use



WARNING!

Injuries through improper use

Improper use of the instrument can lead to hazardous situations and injuries.

- ▶ Refrain from unauthorised modifications to the instrument.
- ▶ Do not use the instrument within hazardous areas.
- ▶ Do not use the instrument with abrasive or viscous media.

Any use beyond or different to the intended use is considered as improper use.

Do not use this instrument in safety or emergency stop devices.

3.4 Responsibility of the operator

The instrument is used in the industrial sector. The operator is therefore responsible for legal obligations regarding safety at work.

EN

The safety instructions within these operating instructions, as well as the safety, accident prevention and environmental protection regulations for the application area must be maintained.

To ensure safe working on the instrument, the operating company must ensure

- that suitable first-aid equipment is available and aid is provided whenever required.
- that the operating personnel are regularly instructed in all topics regarding work safety, first aid and environmental protection and know the operating instructions and in particular, the safety instructions contained therein.
- that the instrument is suitable for the particular application in accordance with its intended use.
- that personal protective equipment is available.

3.5 Personnel qualification



WARNING!

Risk of injury should qualification be insufficient!

Improper handling can result in considerable injury and damage to equipment.

- ▶ The activities described in these operating instructions may only be carried out by skilled personnel who have the qualifications described below.

Skilled personnel

Skilled personnel, authorised by the operator, are understood to be personnel who, based on their technical training, knowledge of measurement and control technology and on their experience and knowledge of country-specific regulations, current standards and directives, are capable of carrying out the work described and independently recognising potential hazards.

Special operating conditions require further appropriate knowledge, e.g. of aggressive media.

4. Transport, packaging and storage

4.1 Transport

Check the instrument for any damage that may have been caused by transport. Obvious damage must be reported immediately.



CAUTION!

Damage through improper transport

With improper transport, a high level of damage to property can occur.

- ▶ When unloading packed goods upon delivery as well as during internal transport, proceed carefully and observe the symbols on the packaging.
- ▶ With internal transport, observe the instructions in chapter 4.2 "Packaging and storage".

If the instrument is transported from a cold into a warm environment, the formation of condensation may result in instrument malfunction. Before putting it back into operation, wait for the instrument temperature and the room temperature to equalise.

4.2 Packaging and storage

Do not remove packaging until just before mounting.

Keep the packaging as it will provide optimum protection during transport (e.g. change in installation site, sending for repair).

Permissible conditions at the place of storage:

- Storage temperature: -20 ... +60 °C
- Humidity: 35 ... 85 % relative humidity (non-condensing)

Avoid exposure to the following factors:

- Direct sunlight or proximity to hot objects
- Mechanical vibration, mechanical shock (putting it down hard)
- Soot, vapour, dust and corrosive gases
- Hazardous environments, flammable atmospheres

Store the instrument in its original packaging in a location that fulfils the conditions listed above. If the original packaging is not available, pack and store the instrument as described below:

1. Wrap the instrument in a plastic film.
2. Place the instrument, along with shock-absorbent material and the stem protector (if accompanying), in the packaging.
3. If stored for a prolonged period of time (more than 30 days), place a bag containing a desiccant inside the packaging.

5. Commissioning, operation

Personnel: Skilled personnel

Tools: Open-ended spanner (SW 21), slot-type screwdriver

EN



WARNING!

Physical injuries and damage to property and the environment caused by hazardous media

Upon contact with hazardous media, harmful media (e.g. corrosive, toxic, carcinogenic), and also with refrigeration plants and compressors, there is a danger of physical injuries and damage to property and the environment. Aggressive media with extremely high temperatures and under high pressure or vacuum may be present at the instrument.

- ▶ For these media, in addition to all standard regulations, the appropriate existing codes or regulations must also be followed.



Examine the packaging material carefully so that no accessories that might be packed within are lost and check whether the required accessories - depending on the case mounting type - are present (see chapter 2.3 "Scope of delivery").

5.1 Thermowell

(not with models E45.10, A46.11, A48.10 and A51)



CAUTION!

Damage as a result of improper installation

If, when fitting, the instrument, the torque required for this is applied to the case, then this can lead to the damage of the thermometer.

- ▶ When installing with a thermowell, this should be tightened via the spanner flats provided for this and using a suitable open-ended spanner.

Before installing, check whether the material used (specified in the delivery note) is chemically resistant/neutral against the medium being measured.

5.2 Installation and assembly

5.2.1 Models A43, A46, A50, A51

1. Before installing, check whether the material of the thermowell used (specified in the delivery note) is chemically resistant/neutral against the medium being measured.
2. When using parallel threads, a suitable seal should be used when mounting. Tapered threads should be sealed using suitable sealing material.
3. Insert the thermowell into the process adapter without forcing or damaging it and tighten (open-ended spanner, SW 21). The thermowell must not be bent or altered in order to mount it. In general, the tip of the thermowell should be placed in the middle third of the pipe.

4.1 Design without clamping screw on the thermowell

Insert the thermometer into the thermowell, to the stop. For this, overcome the resistance felt. The clamping is generated through a point-based widening of the diameter at the stem, or through the star shape diameter under the case. With this, pay attention that the force is applied as in-line as possible with the thermowell and that the measuring instrument is not bent by it. For the use of special thermowells, as an alternative, the clamping is possible via a clamp spring located on the stem.

4.2 Design with clamping screw on the thermowell

Insert the thermometer into the thermowell, to the stop. With this, pay attention that the force is applied as in-line as possible with the thermowell and that the measuring instrument is not bent by it. Using a suitable screwdriver, tighten the screw on the side of the thermowell head hand-tight.

5.2.2 Model A46.11

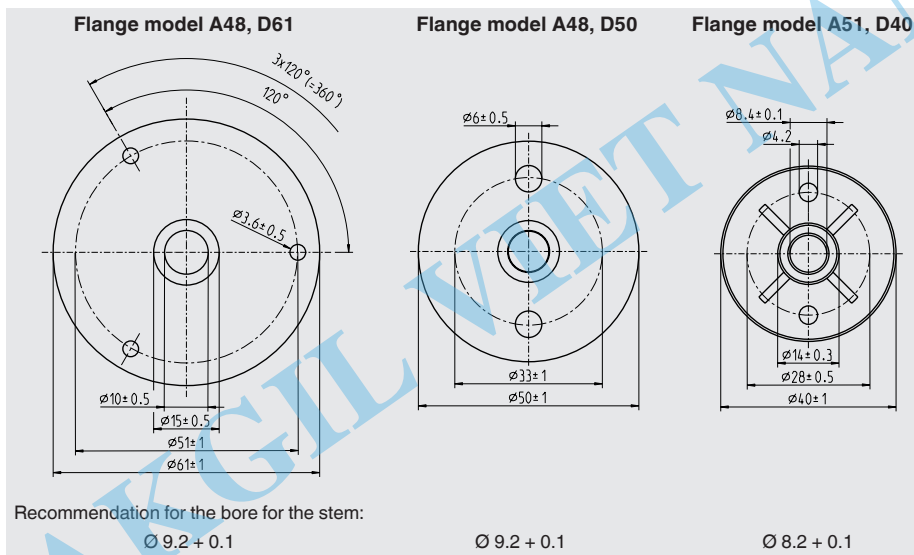
1. Remove one piece of the pipe insulation. The area of the surface with isolation removed should only be large enough as is required for the mounting of the instrument. Unnecessarily exposed surfaces will falsify the measuring results through heat dissipation errors into the environment.
2. The attachment plate attached to the rear of the thermometer should be attached by bending it to match the curve of the pipe so that the temperature sensor's measuring element lies on the pipe wall.
3. Clip the delivered mounting clip onto one side of the attachment plate. Lead the clip around the rear of the pipe and hook onto the other side of the attachment plate.

5. Commissioning, operation

5.2.3 Models A48 and A51

Fitting with mounting flange sliding on stem

1. Place the bores onto the wall of the air duct provided (see figures below) by means of the mounting flange dimensions.
2. Loosen the mounting flange from the thermometer. Place the flange with the flat surface onto the wall and affix using the appropriate screws and screwdriver.
3. Insert the thermometer into the flange. Set it to the desired immersion depth in the air duct. Then, using a suitable screwdriver, tighten the mounting screws (found on the side of the flange) hand-tight and thus fix the thermometer.

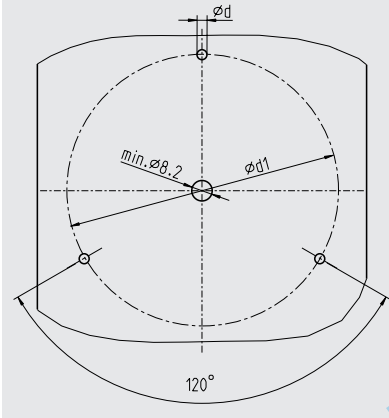


5. Commissioning, operation

Installation with surface mounting flange

1. Place the bores onto the wall of the air duct provided (see figure below) by means of the surface mounting flange dimensions.
2. Insert the stem of the thermometer into the centre bore, until the surface mounting flange lies flat on the air duct wall. Fix using the appropriate screws and screwdriver.

Rear fixing ring, model A51



5.3 Heat dissipation error

Heat dissipation errors occur if the area where the temperature is to be measured is so small, that the mass of the temperature probe acts noticeably as thermal capacity. Such a phenomenon may also occur if the insertion depth is insufficient, if the mounting fittings are connected to a good thermal conductor (steel plates or similar) and there is a considerable difference in temperature between the temperature to be measured and the temperature of the mounting element.

5.4 Indicator check

Indicator checks should only be carried out in comparison with a more accurate instrument or with a calibrated instrument. The temperature during the check must remain constant. Fluctuating temperatures can lead to reading errors caused by the different response times of the probes.

With thermometers **without** thermowells, with a full and correct insertion length, a minimum waiting time of 10 minutes should be maintained for temperature equalisation.

With thermometers **with** thermowells, with a full and correct insertion length, a minimum waiting time of > 15 minutes should be maintained for temperature equalisation.

The indicator should be checked once or twice every year.

5.5 Indication correction

(not with model A46.11 surface thermometer)

EN



The screw at the end of the stem (see figure) serves for the indication correction. Turning the screw causes an immediate change in the displayed value and should only be carried out after consultation with the manufacturer. Carry out steps 1 ... 4 after completing consultation.

1. Remove the instrument from the process.
2. Allow the instrument to cool to room temperature.
3. Hold the instrument steady by the case (NOT on the stem), with a screwdriver, turn the “screw” on the end of the stem until the defined temperature difference has been compensated (clockwise = increase, anti-clockwise = reducing the displayed value).
4. Carry out a indication correction (see chapter 5.4 “Indicator check”).

6. Faults

Personnel: Skilled personnel

Tools: Open-ended spanner, slot-type screwdriver



CAUTION!

Physical injuries and damage to property and the environment

If faults cannot be eliminated by means of the listed measures, the instrument must be taken out of operation immediately.

- ▶ Ensure that there is no longer any pressure present and protect against being put into operation accidentally.
- ▶ Contact the manufacturer.
- ▶ If a return is needed, please follow the instructions given in chapter 8.2 “Return”.



WARNING!

Physical injuries and damage to property and the environment caused by hazardous media

Upon contact with hazardous media, harmful media (e.g. corrosive, toxic, carcinogenic), and also with refrigeration plants and compressors, there is a danger of physical injuries and damage to property and the environment. Aggressive media with extremely high temperatures and under high pressure or vacuum may be present at the instrument.

- ▶ For these media, in addition to all standard regulations, the appropriate existing codes or regulations must also be followed.



For contact details see chapter 1 “General information” or the back page of the operating instructions.

Faults	Causes	Measures
False value is displayed	There is a fault	Replace the measuring instrument
	There is a zero point offset	Carry out an indication correction (see chapter 5.5 “Indication correction”)
	Heat dissipation error	Check the instrument selection and installation situation (see chapter 5.3 “Heat dissipation error”)
Medium is escaping (leakage)	Material of the thermowell is unsuitable	Use a suitable thermowell and replace measuring instrument.
	The sealing of the thermowell is defective	Replace the sealing
	Impermissibly high process pressure	Shut the plant down, adjust the process pressure, if needed, replace the thermowell and measuring instrument (see chapter 8.1 “Dismounting”)

7. Maintenance and cleaning



For contact details see chapter 1 “General information” or the back page of the operating instructions.

EN

7.1 Maintenance

These bimetal thermometers are maintenance-free.

The indicator should be checked once or twice every year (see chapter 5.4 “Indicator check”).

Repairs must only be carried out by the manufacturer.

7.2 Cleaning



CAUTION!

Physical injuries and damage to property and the environment

Improper cleaning may lead to physical injuries and damage to property and the environment. Residual media in the dismantled instrument can result in a risk to persons, the environment and equipment.

- ▶ Carry out the cleaning process as described below.

1. Prior to cleaning, properly disconnect the instrument from the process.
2. Use the requisite protective equipment.
3. Clean the instrument with a moist cloth (soapy water).



CAUTION!

Damage to the instrument

Improper cleaning may lead to damage to the instrument!

- ▶ Do not use any aggressive cleaning agents.
- ▶ Do not use any pointed and hard objects for cleaning.

8. Dismounting, return and disposal

8.1 Dismounting

EN



WARNING!

Physical injuries and damage to property and the environment through residual media

Upon contact with hazardous media, harmful media (e.g. corrosive, toxic, carcinogenic), and also with refrigeration plants and compressors, there is a danger of physical injuries and damage to property and the environment.

- ▶ Before storage of the dismantled instrument (following use) clean it, in order to protect persons and the environment from exposure to residual media.
- ▶ Observe the information in the material safety data sheet for the corresponding medium.



WARNING!

Risk of burns

During dismantling there is a risk of dangerously hot media escaping.

- ▶ Let the instrument cool down sufficiently before dismantling it!
- ▶ The case can get hot during operation. Never touch a hot thermometer.



WARNING!

Physical injury

When dismantling, there is a danger from aggressive media and high pressures.

- ▶ Observe the information in the material safety data sheet for the corresponding medium.
- ▶ Only disconnect the instrument or thermowell once the system has been depressurised!

8.2 Return

Strictly observe the following when shipping the instrument:

All instruments delivered to WIKA must be free from any kind of hazardous substances (acids, bases, solutions, etc.) and must therefore be cleaned before being returned.



WARNING!

Physical injuries and damage to property and the environment through residual media

Residual media in the dismantled instrument can result in a risk to persons, the environment and equipment.

- ▶ With hazardous substances, attach the material safety data sheet for the corresponding medium.
- ▶ Clean the instrument, see chapter 7.2 "Cleaning".

8. Dismounting, return and disposal / 9. Specifications

When returning the instrument, use the original packaging or a suitable transport packaging.

EN

To avoid damage:

1. Place the instrument, along with shock-absorbent material, in the packaging.
Place shock-absorbent material evenly on all sides of the transport packaging.
2. If possible, place a bag containing a desiccant inside the packaging.
3. Label the shipment as carriage of a highly sensitive measuring instrument.



Information on returns can be found under the heading “Service” on our local website.

8.3 Disposal

Incorrect disposal can put the environment at risk.

Dispose of instrument components and packaging materials in an environmentally compatible way and in accordance with the country-specific waste disposal regulations.

9. Specifications

Specifications	Model A43
Nominal size	63, 80, 100
Scale range	-30 ... +50 °C to 0 ... 120 °C
Working range	Full scale value
Case <ul style="list-style-type: none">■ Model A43.10■ Model A43.20■ Model A43.30	Aluminium Steel, galvanised Plastic, black
Process connection	Thermowell G ½ B, brass
Stem	Aluminium
Thermowell	Brass
Permissible operating pressure at thermowell	Max. 6 bar
Indication accuracy	Class 2 per EN 13190
Indication correction	At bottom of stem
Scale angle	aprox. 270°

11484498.03.07/2017 EN/DE/FR/ES

9. Specifications

Specifications	Model E45
Nominal size	63
Scale range	20 ... 100 °C
Working range	Full scale value
Case	Steel, galvanised
Process connection	Smooth stem, Ø 15 mm
Indication correction	At bottom of stem
Scale angle	aprox. 100°

EN

Specifications	Model A46
Nominal size	50, 63, 80, 100
Scale range	-30 ... +50 °C to 0 ... 160 °C
Working range	Full scale value
Case <ul style="list-style-type: none"> ■ Models A46.10, A46.11 ■ Model A46.20 ■ Model A46.30 	Aluminium Steel, galvanised Plastic, black
Connection designs <ul style="list-style-type: none"> ■ Models A46.10, A46.20, A46.30 ■ Model A46.11 	With thermowell Clip-on design
Permissible operating pressure at thermowell	Max. 6 bar
Indication correction <ul style="list-style-type: none"> ■ Models A46.10, A46.20, A46.30 ■ Model A46.11 	At bottom of stem No
Scale angle	aprox. 270°

9. Specifications

EN

Specifications	Model A48
Nominal size	63, 80, 100, 160
Scale range	-30 ... +50 °C to 0 ... 120 °C
Working range	Full scale value
Case	Aluminium
Process connection	Flange, Ø d ₂ = 61 mm, steel galvanised, adjustable on stem
Stem	Copper alloy
Indication accuracy	Class 2 per EN 13190
Indication correction	At bottom of stem
Scale angle	aprox. 270°

Specifications	Model A50
Nominal size	63, 80, 100, 160
Scale range	-30 ... +50 °C to 0 ... 200 °C
Working range	Full scale value
Case <ul style="list-style-type: none"> ■ Model A50.10 ■ Model A50.20 	Aluminium Steel, galvanised
Process connection	Thermowell G ½ B, copper alloy
Thermowell	Copper alloy, removable with retainer screw
Permissible operating pressure at thermowell	Max. 6 bar
Indication accuracy	Class 2 per EN 13190
Indication correction	At bottom of stem
Scale angle	aprox. 270°

9. Specifications

Specifications	Model A51
Nominal size	63, 80, 100
Scale range	-30 ... +50 °C to 0 ... 250 °C
Working range	Full scale value
Case	Steel, galvanised
Connection designs	
<ul style="list-style-type: none"> ■ Air-conditioning and ventilation 	Plain stem, with surface mounting flange
<ul style="list-style-type: none"> ■ Liquid media 	Plain stem, with sliding plastic flange Plain stem, with 18 mm collar diameter for thermowell mounting
Stem	Copper alloy
Indication accuracy	
<ul style="list-style-type: none"> ■ Thermowell design 	Class 1 per EN 13190
<ul style="list-style-type: none"> ■ Mounting flange and surface mounting flange 	Class 2 per EN 13190
Indication correction	At bottom of stem
Scale angle	aprox. 270°

For further specifications see WIKA data sheets

TM 43.01 (model A43)

TM 45.02 (model E45)

TM 46.02 (model A46)

TM 48.01 (model A48)

TM 50.03 (model A50)

TM 51.01 (model A51) and order documentation.

MAKGIL VIET NAM

Inhalt

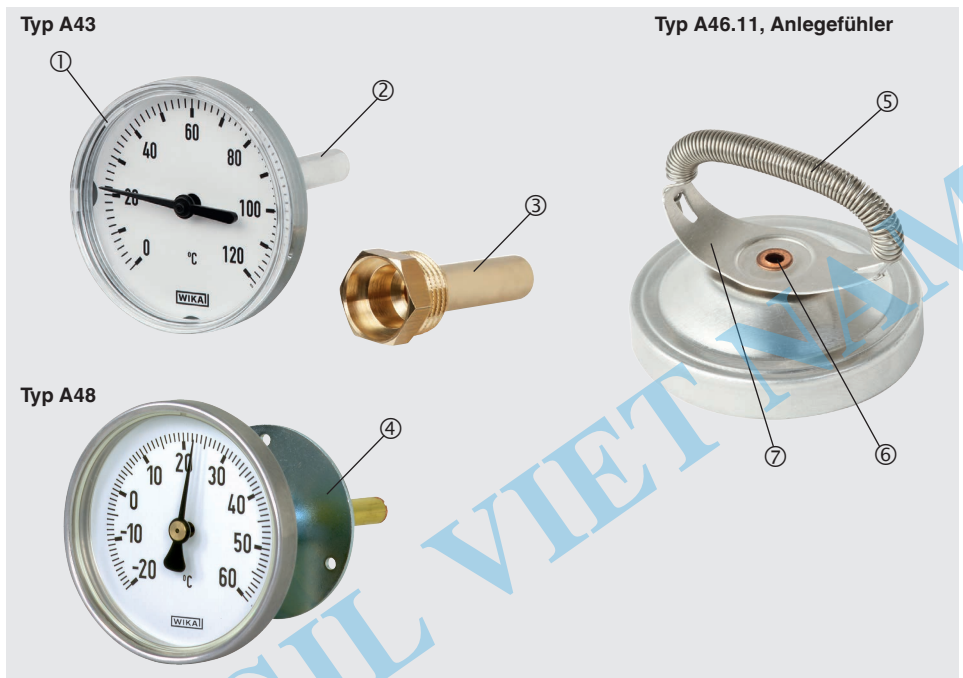
1. Allgemeines	24
2. Aufbau und Funktion	25
3. Sicherheit	26
4. Transport, Verpackung und Lagerung	29
5. Inbetriebnahme, Betrieb	30
6. Störungen	35
7. Wartung und Reinigung	36
8. Demontage, Rücksendung und Entsorgung	37
9. Technische Daten	38

1. Allgemeines

- Die in der Betriebsanleitung beschriebenen Bimetall-Thermometer werden nach dem aktuellen Stand der Technik gefertigt. Alle Komponenten unterliegen während der Fertigung strengen Qualitäts- und Umweltkriterien. Unsere Managementsysteme sind nach ISO 9001 und ISO 14001 zertifiziert.
- Diese Betriebsanleitung gibt wichtige Hinweise zum Umgang mit dem Gerät. Voraussetzung für sicheres Arbeiten ist die Einhaltung aller angegebenen Sicherheitshinweise und Handlungsanweisungen.
- Die für den Einsatzbereich des Gerätes geltenden örtlichen Unfallverhütungsvorschriften und allgemeinen Sicherheitsbestimmungen einhalten.
- Die Betriebsanleitung ist Produktbestandteil und muss in unmittelbarer Nähe des Gerätes für das Fachpersonal jederzeit zugänglich aufbewahrt werden. Betriebsanleitung an nachfolgende Benutzer oder Besitzer des Gerätes weitergeben.
- Das Fachpersonal muss die Betriebsanleitung vor Beginn aller Arbeiten sorgfältig durchgelesen und verstanden haben.
- Es gelten die allgemeinen Geschäftsbedingungen in den Verkaufsunterlagen.
- Technische Änderungen vorbehalten.
- Weitere Informationen:
 - Internet-Adresse: www.wika.de / www.wika.com
 - zugehöriges Datenblatt: TM 43.01 (Typ A43)
TM 45.02 (Typ E45)
TM 46.02 (Typ A46)
TM 48.01 (Typ A48)
TM 50.03 (Typ A50)
TM 51.01 (Typ A51)

2. Aufbau und Funktion

2.1 Überblick (Beispiel)



- ① Gehäuse und Zifferblatt
- ② Tauchschaft
- ③ Schutzrohr
- ④ Befestigungsflansch
- ⑤ Befestigungsfeder
- ⑥ Temperaturenfnehmer
- ⑦ Anlegeblech

2.2 Beschreibung

Die hier beschriebenen Bimetall-Thermometer finden ihren Einsatz zur einfachen Temperaturanzeige überwiegend in Bereichen der Heizungs-, Klima- und Lüftungstechnik.

Die Bimetall-Thermometer nutzen zur Temperaturmessung die unterschiedlichen Eigenschaften von zwei Metallen. Diese werden als dünne Metallstreifen übereinandergelegt. Der Aufbau dieses Thermometers ist sehr einfach. Der kombinierte Metallstreifen wird zu einer Spirale rund um einen Zeiger angeordnet. Bei der Veränderung des Bimetalls bewegt sich der Zeiger mit und zeigt auf einer Skala die Temperatur an.

Die Typen A43, E45, A46, A50 und A51 eignen sich besonders für den Einsatz in der Heizungstechnik.

Für den Einsatz in der Klima- und Lüftungstechnik stehen die Typen A48 und A51 zur Verfügung.

DE

2.3 Lieferumfang

Lieferumfang mit dem Lieferschein abgleichen.

Je nach Geräteausführung können dem Gerät lose Zubehörteile (z. B. Schutzrohr, Befestigungsflansch, Befestigungsfeder) beiliegen.

3. Sicherheit

3.1 Symbolerklärung



WARNUNG!

... weist auf eine möglicherweise gefährliche Situation hin, die zum Tod oder zu schweren Verletzungen führen kann, wenn sie nicht gemieden wird.



VORSICHT!

... weist auf eine möglicherweise gefährliche Situation hin, die zu geringfügigen oder leichten Verletzungen bzw. Sach- und Umweltschäden führen kann, wenn sie nicht gemieden wird.



WARNUNG!

... weist auf eine möglicherweise gefährliche Situation hin, die durch heiße Oberflächen oder Flüssigkeiten zu Verbrennungen führen kann, wenn sie nicht gemieden wird.



Information

... hebt nützliche Tipps und Empfehlungen sowie Informationen für einen effizienten und störungsfreien Betrieb hervor.

3.2 Bestimmungsgemäße Verwendung

Die Bimetall-Thermometer werden hauptsächlich in der Heizungs-, Klima- und Kältetechnik eingesetzt, um die Temperatur des Prozesses zu überwachen.

Die Typen A43, A46, A50 und A51 dienen zur Temperaturmessung von flüssigen und gasförmigen Medien bei Verwendung eines geeigneten Schutzrohres.

Maximal zulässiger Betriebsdruck am Schutzrohr: 6 bar

Typ A46.11 ist geeignet zur Messung von Rohroberflächen-Temperaturen.

Die Typen A48 und A51 finden Verwendung in der Kälte- und Klimatechnik zur Messung der Temperatur in Luftkanälen. Sie sind nur für die Temperaturmessung von gasförmigen, ungefährlichen sowie drucklosen Messstoffen geeignet.

Bei Montage, Inbetriebnahme und Betrieb dieser Geräte die entsprechenden nationalen Sicherheitsvorschriften beachten.

Die Geräte sind nicht für den Einsatz in explosionsgefährdeten Bereichen zugelassen!

Die Geräte sind nicht für den Außeneinsatz geeignet und müssen vor direkter Sonneneinstrahlung und Feuchtigkeit geschützt sein.

Die Geräte sind ausschließlich für den hier beschriebenen bestimmungsgemäßen Verwendungszweck konzipiert und konstruiert und dürfen nur dementsprechend verwendet werden.

Die technischen Spezifikationen in dieser Betriebsanleitung sind einzuhalten. Eine unsachgemäße Handhabung oder ein Betreiben des Gerätes außerhalb der technischen Spezifikationen macht die sofortige Stilllegung und Überprüfung durch einen autorisierten WIKA-Servicemitarbeiter erforderlich.

Ansprüche jeglicher Art aufgrund von nicht bestimmungsgemäßer Verwendung sind ausgeschlossen.

3.3 Fehlgebrauch



WARNUNG!

Verletzungen durch Fehlgebrauch

Fehlgebrauch des Gerätes kann zu gefährlichen Situationen und Verletzungen führen.

- ▶ Eigenmächtige Umbauten am Gerät unterlassen.
- ▶ Gerät nicht in explosionsgefährdeten Bereichen einsetzen.
- ▶ Gerät nicht für abrasive und viskose Messstoffe verwenden.

Jede über die bestimmungsgemäße Verwendung hinausgehende oder andersartige Benutzung gilt als Fehlgebrauch.

Dieses Gerät nicht in Sicherheits- oder in Not-Aus-Einrichtungen benutzen.

3.4 Verantwortung des Betreibers

Das Gerät wird im gewerblichen Bereich eingesetzt. Der Betreiber unterliegt daher den gesetzlichen Pflichten zur Arbeitssicherheit.

Die Sicherheitshinweise dieser Betriebsanleitung, sowie die für den Einsatzbereich des Gerätes gültigen Sicherheits-, Unfallverhütungs- und Umweltschutzvorschriften einhalten.

DE

Für ein sicheres Arbeiten am Gerät muss der Betreiber sicherstellen,

- dass eine entsprechende Erste-Hilfe-Ausrüstung vorhanden ist und bei Bedarf jederzeit Hilfe zur Stelle ist.
- dass das Bedienpersonal regelmäßig in allen zutreffenden Fragen von Arbeitssicherheit, Erste Hilfe und Umweltschutz unterwiesen wird, sowie die Betriebsanleitung und insbesondere die darin enthaltenen Sicherheitshinweise kennt.
- dass das Gerät gemäß der bestimmungsgemäßen Verwendung für den Anwendungsfall geeignet ist.
- dass die persönliche Schutzausrüstung verfügbar ist.

3.5 Personalqualifikation



WARNUNG!

Verletzungsgefahr bei unzureichender Qualifikation!

Unsachgemäßer Umgang kann zu erheblichen Personen- und Sachschäden führen.

- ▶ Die in dieser Betriebsanleitung beschriebenen Tätigkeiten nur durch Fachpersonal nachfolgend beschriebener Qualifikation durchführen lassen.

Fachpersonal

Das vom Betreiber autorisierte Fachpersonal ist aufgrund seiner fachlichen Ausbildung, seiner Kenntnisse der Mess- und Regelungstechnik und seiner Erfahrungen sowie Kenntnis der landesspezifischen Vorschriften, geltenden Normen und Richtlinien in der Lage, die beschriebenen Arbeiten auszuführen und mögliche Gefahren selbstständig zu erkennen.

Spezielle Einsatzbedingungen verlangen weiteres entsprechendes Wissen, z. B. über aggressive Medien.

4. Transport, Verpackung und Lagerung

4.1 Transport

Gerät auf eventuell vorhandene Transportschäden untersuchen.
Offensichtliche Schäden unverzüglich mitteilen.



VORSICHT!

Beschädigungen durch unsachgemäßen Transport

Bei unsachgemäßem Transport können Sachschäden in erheblicher Höhe entstehen.

- ▶ Beim Abladen der Packstücke bei Anlieferung sowie innerbetrieblichem Transport vorsichtig vorgehen und die Symbole auf der Verpackung beachten.
- ▶ Bei innerbetrieblichem Transport die Hinweise unter Kapitel 4.2 „Verpackung und Lagerung“ beachten.

Wird das Gerät von einer kalten in eine warme Umgebung transportiert, so kann durch Kondensatbildung eine Störung der Gerätefunktion eintreten. Vor einer erneuten Inbetriebnahme die Angleichung der Gerätetemperatur an die Raumtemperatur abwarten.

4.2 Verpackung und Lagerung

Verpackung erst unmittelbar vor der Montage entfernen.

Die Verpackung aufbewahren, denn diese bietet bei einem Transport einen optimalen Schutz (z. B. wechselnder Einbauort, Reparatursendung).

Zulässige Bedingungen am Lagerort:

- Lagertemperatur: -20 ... +60 °C
- Feuchtigkeit: 35 ... 85 % relative Feuchte (nicht kondensierend)

Folgende Einflüsse vermeiden:

- Direktes Sonnenlicht oder Nähe zu heißen Gegenständen
- Mechanische Vibration, mechanischer Schock (hartes Aufstellen)
- Ruß, Dampf, Staub und korrosive Gase
- Explosionsgefährdete Umgebung, entzündliche Atmosphären

Das Gerät in der Originalverpackung an einem Ort, der die oben gelisteten Bedingungen erfüllt, lagern. Wenn die Originalverpackung nicht vorhanden ist, dann das Gerät wie folgt verpacken und lagern:

1. Das Gerät in eine Plastikfolie einhüllen.
2. Das Gerät mit dem Dämmmaterial und dem Tauchrohrschutz (falls mitgeliefert) in der Verpackung platzieren.
3. Bei längerer Einlagerung (mehr als 30 Tage) einen Beutel mit Trocknungsmittel der Verpackung beilegen.

5. Inbetriebnahme, Betrieb

Personal: Fachpersonal

Werkzeuge: Gabelschlüssel SW 21, Schraubendreher Schlitz

DE



WARNUNG!

Körperverletzungen, Sach- und Umweltschäden durch gefährliche Messstoffe

Bei Kontakt mit gefährlichen Messstoffen, gesundheitsgefährdenden Messstoffen (z. B. ätzend, giftig, krebserregend) sowie bei Kälteanlagen, Kompressoren besteht die Gefahr von Körperverletzungen, Sach- und Umweltschäden.

Am Gerät können aggressive Medien mit extremer Temperatur und unter hohem Druck oder Vakuum anliegen.

- ▶ Bei diesen Messstoffen müssen über die gesamten allgemeinen Regeln hinaus die einschlägigen Vorschriften beachtet werden.



Verpackungsmaterial genau durchsehen, damit keine evtl. beige packten Zubehörteile verloren gehen und prüfen, ob das notwendige Zubehör - je nach Gehäusebefestigungsart - vorhanden ist (siehe Kapitel 2.3 „Lieferumfang“).

5.1 Schutzrohr

(nicht bei Typen E45.10, A46.11, A48.10 und A51)



VORSICHT!

Beschädigungen durch unsachgemäße Montage

Wird beim Einschrauben der Geräte die dafür notwendige Kraft auf das Gehäuse aufgebracht, so führt dies zur Beschädigung des Thermometers.

- ▶ Bei der Montage mit Schutzrohr dieses über die dafür vorgesehenen Schlüsselflächen mit einem geeigneten Gabelschlüssel festziehen.

Vor dem Einbau prüfen, ob der verwendete Werkstoff (aus dem Lieferschein ersichtlich) gegenüber dem Messmedium chemisch beständig/neutral ist.

5.2 Einbau und Montage

5.2.1 Typen A43, A46, A50, A51

1. Vor dem Einbau prüfen, ob der verwendete Werkstoff des Schutzrohres (aus dem Lieferschein ersichtlich) gegenüber dem Messmedium chemisch beständig/neutral ist.
2. Bei zylindrischen Gewinden eine geeignete Dichtung zur Montage verwenden. Kegelige Gewinde durch geeignete Dichtungsmittel abdichten.
3. Das Schutzrohr ohne Kraftanwendung oder Beschädigung in die prozesseitige Aufnahme einführen und verschrauben (Gabelschlüssel SW 21). Ein Verbiegen oder Anpassen des Schutzrohres zur Montage ist nicht zulässig. Generell sollte sich die Schutzrohrspitze im mittleren Drittel der Rohrleitung befinden.

4.1 Ausführung ohne Klemmschraube am Schutzrohr

Das Thermometer in das Schutzrohr auf Anschlag einführen. Dabei den spürbaren Widerstand überwinden. Die Klemmung wird erzeugt durch eine punktuelle Aufweitung des Durchmessers am Tauchschaft oder durch den Sterndurchmesser unterhalb des Gehäuses. Dabei darauf achten, dass die Kraft möglichst gerade in Richtung Schutzrohr aufgebracht wird und das Messgerät dabei nicht verbogen wird. Für die Verwendung von Sonderschutzrohren ist alternativ die Klemmung über eine am Tauchschaft befindlichen Klemmfeder möglich.

4.2 Ausführung mit Klemmschraube am Schutzrohr

Das Thermometer in das Schutzrohr auf Anschlag einführen. Dabei darauf achten, dass die Kraft möglichst gerade in Richtung Schutzrohr aufgebracht wird und das Messgerät dabei nicht verbogen wird. Mit Hilfe eines geeigneten Schraubendrehers die seitlich am Schutzrohrkopf angebrachte Schraube handfest anziehen.

5.2.2 Typ A46.11

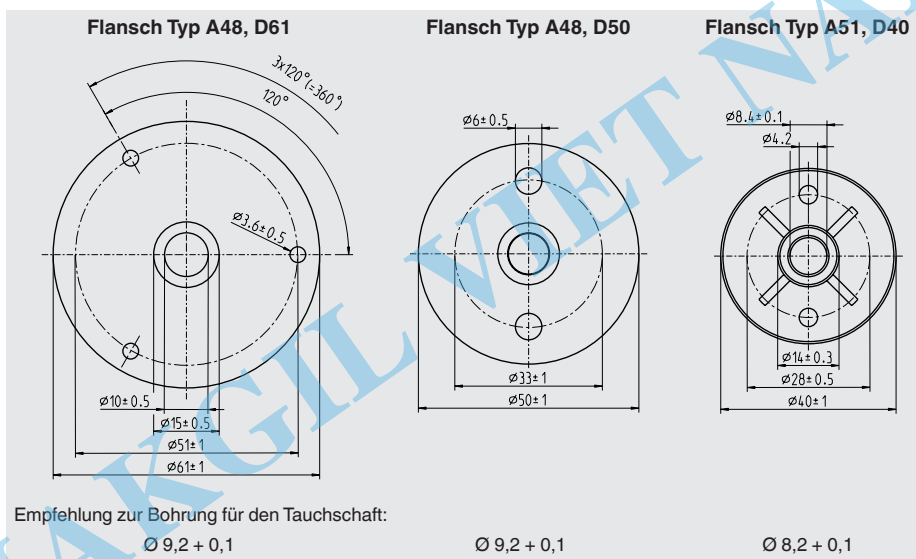
1. Ein Stück der Rohrisolation entfernen. Die Fläche des abisolierten Bereiches sollte nur so groß sein, wie zur Montage des Gerätes notwendig ist. Unnötig freigelegte Oberflächen verfälschen das Messergebnis durch Wärmeableitungsfehler in die Umgebung.
2. Das an der Rückseite des Thermometers angebrachte Anlegeblech durch Biegen an den Umfang des Rohres anpassen, sodass der Temperaturaufnehmer an der Rohrwand anliegt.
3. Die mitgelieferte Befestigungsfeder auf der einen Seite des Anlegebleches einklemmen. Die Feder um die Rückseite des Rohres führen und an der anderen Seite des Anlegebleches einhaken.

5. Inbetriebnahme, Betrieb

5.2.3 Typen A48 und A51

Montage mit Befestigungsflansch verschiebbar auf Tauchschaft

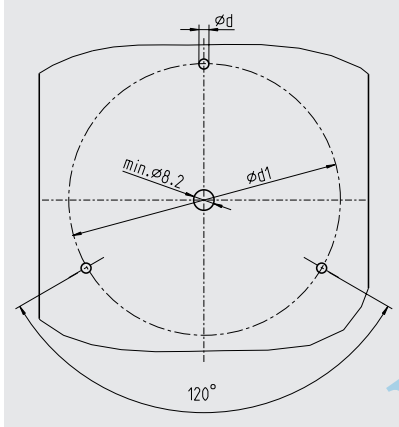
1. Anhand der Maße des Befestigungsflansches die Bohrungen auf die vorgesehene Wand des Luftkanals setzen (siehe Abbildungen unten).
2. Den Befestigungsflansch vom Thermometer lösen. Den Flansch mit der planen Fläche an der Wand anlegen und mit geeigneten Schrauben und Schraubendreher befestigen.
3. Das Thermometer in den Flansch einführen. Auf die gewünschte Eintauchtiefe im Luftkanal ausrichten. Danach mit Hilfe eines geeigneten Schraubendrehers die Befestigungsschraube (befindet sich seitlich am Flansch) handfest anziehen und somit das Thermometer fixieren.



Montage mit Befestigungsrand hinten

1. Anhand der Maße des Befestigungsrandes hinten die Bohrungen auf die vorgesehene Wand des Luftkanals setzen (siehe Abbildung unten).
2. Den Tauchschaft des Thermometers in die mittlere Bohrung einführen bis der Befestigungsrand hinten an der Luftkanalwand plan aufliegt. Mit geeigneten Schrauben und Schraubendreher befestigen.

Befestigungsrand hinten, Typ A51



5.3 Wärmeableitungsfehler

Wärmeableitungsfehler entstehen, wenn der Messraum, dessen Temperatur angezeigt werden soll, sehr klein ist, so dass sich die Masse des Temperaturfühlers als Wärmekapazität bemerkbar macht. Solche Erscheinungen können auch bei nicht genügender Einbautiefe entstehen, wenn die Befestigungsarmatur an einem guten Wärmeleiter (Stahlplatten oder dergleichen) befestigt ist und ein erheblicher Temperaturunterschied zwischen der zu messenden Temperatur und der Temperatur des Befestigungselementes vorliegt.

5.4 Anzeigekontrolle

Die Kontrolle der Anzeige sollte nur im Vergleich zu einem genaueren oder kalibrierten Gerät erfolgen. Die Kontrolltemperatur muss konstant sein. Bei veränderlichen Temperaturen entstehen Ablesefehler, die ihre Ursache in unterschiedlichen Ansprechzeiten der Fühler haben.

Bei Thermometern **ohne** Schutzrohr sollte bei voller ordnungsgemäßer Eintauchlänge eine Mindestwartezeit von 10 Minuten zum Temperatúrausgleich eingehalten werden.

Bei Thermometern **mit** Schutzrohr sollte bei voller ordnungsgemäßer Eintauchlänge eine Mindestwartezeit von > 15 Minuten zum Temperatúrausgleich eingehalten werden.

Eine Anzeigekontrolle sollte etwa 1 bis 2 mal pro Jahr erfolgen.

5.5 Anzeigekorrektur

(nicht bei Anliegethermometer Typ A46.11)

DE



Die Schraube am Ende des Tauchschaftes (siehe Abbildung) dient der Anzeigekorrektur. Ein Drehen der Schraube bewirkt eine sofortige Änderung des angezeigten Wertes und sollte daher nur nach Absprache mit dem Hersteller erfolgen. Nach erfolgter Absprache die Schritte 1 - 4 durchführen.

1. Gerät aus dem Prozess entfernen.
2. Gerät auf Raumtemperatur abkühlen lassen.
3. Gerät am Gehäuse (NICHT am Tauchschaft!) festhalten, mit Schraubendreher am Tauchschaftende die „Schraube“ soweit drehen, bis der Wert der festgestellten Temperaturdifferenz (im Uhrzeigersinn = Erhöhung, gegen Uhrzeigersinn = Verringerung des Anzeigewertes) ausgeglichen wurde.
4. Anzeigekontrolle durchführen (siehe Kapitel 5.4 „Anzeigekontrolle“).

6. Störungen

Personal: Fachpersonal

Werkzeuge: Gabelschlüssel, Schraubendreher Schlitz



VORSICHT!

Körperverletzungen, Sach- und Umweltschäden

Können Störungen mit Hilfe der aufgeführten Maßnahmen nicht beseitigt werden, Gerät unverzüglich außer Betrieb setzen.

- ▶ Sicherstellen, dass kein Druck mehr anliegt und gegen versehentliche Inbetriebnahme schützen.
- ▶ Kontakt mit dem Hersteller aufnehmen.
- ▶ Bei notwendiger Rücksendung die Hinweise unter Kapitel 8.2 „Rücksendung“ beachten.



WARNUNG!

Körperverletzungen, Sach- und Umweltschäden durch gefährliche Messstoffe

Bei Kontakt mit gefährlichen Messstoffen, gesundheitsgefährdenden Messstoffen (z. B. ätzend, giftig, krebserregend) sowie bei Kälteanlagen, Kompressoren besteht die Gefahr von Körperverletzungen, Sach- und Umweltschäden.

Am Gerät können aggressive Medien mit extremer Temperatur und unter hohem Druck oder Vakuum anliegen.

- ▶ Bei diesen Messstoffen müssen über die gesamten allgemeinen Regeln hinaus die einschlägigen Vorschriften beachtet werden.



Kontakt Daten siehe Kapitel 1 „Allgemeines“ oder Rückseite der Betriebsanleitung.

Störungen	Ursachen	Maßnahmen
Falscher Wert wird angezeigt	Defekt liegt vor	Messgerät ersetzen
	Nullpunkt-Offset liegt vor	Anzeigekorrektur durchführen (siehe Kapitel 5.5 „Anzeigekorrektur“)
	Wärmeableitungsfehler	Geräteauswahl und Einbausituation überprüfen (siehe Kapitel 5.3 „Wärmeableitungsfehler“)
Messmedium tritt aus (Leckage)	Material des Schutzrohres ist ungeeignet	Geeignetes Schutzrohr verwenden und Messgerät ersetzen
	Abdichtung des Schutzrohres defekt	Abdichtung erneuern
	Unzulässig hoher Prozessdruck	Anlage stilllegen, Prozessdruck anpassen, ggf. Schutzrohr und Messgerät erneuern (siehe Kapitel 8.1 „Demontage“)

7. Wartung und Reinigung



Kontakt Daten siehe Kapitel 1 „Allgemeines“ oder Rückseite der Betriebsanleitung.

DE

7.1 Wartung

Diese Bimetall-Thermometer sind wartungsfrei.

Eine Anzeigekontrolle sollte etwa 1 bis 2 mal pro Jahr erfolgen (siehe Kapitel 5.4 „Anzeigekontrolle“).

Reparaturen sind ausschließlich vom Hersteller durchzuführen.

7.2 Reinigung



VORSICHT!

Körperverletzungen, Sach- und Umweltschäden

Eine unsachgemäße Reinigung führt zu Körperverletzungen, Sach- und Umweltschäden. Messstoffreste im ausgebauten Gerät können zur Gefährdung von Personen, Umwelt und Einrichtung führen.

► Reinigungsvorgang wie folgt beschrieben durchführen.

1. Vor der Reinigung das Gerät ordnungsgemäß vom Prozess trennen.
2. Notwendige Schutzausrüstung verwenden.
3. Das Gerät mit einem (in Seifenlauge) angefeuchteten Tuch reinigen.



VORSICHT!

Beschädigung des Gerätes

Eine unsachgemäße Reinigung führt zur Beschädigung des Gerätes!

- Keine aggressiven Reinigungsmittel verwenden.
- Keine harten und spitzen Gegenstände zur Reinigung verwenden.

8. Demontage, Rücksendung und Entsorgung

8.1 Demontage



WARNUNG!

Körperverletzungen, Sach- und Umweltschäden durch Messstoffreste

Bei Kontakt mit gefährlichen Messstoffen, gesundheitsgefährdenden Messstoffen (z. B. ätzend, giftig, krebserregend) sowie bei Kälteanlagen, Kompressoren besteht die Gefahr von Körperverletzungen, Sach- und Umweltschäden.

- ▶ Vor der Einlagerung das ausgebaute Gerät (nach Betrieb) säubern, um Personen und Umwelt vor Gefährdung durch anhaftende Messstoffreste zu schützen.
- ▶ Angaben im Sicherheitsdatenblatt für den entsprechenden Messstoff beachten.



WARNUNG!

Verbrennungsgefahr

Beim Ausbau besteht Gefahr durch austretende, gefährlich heiße Messstoffe.

- ▶ Vor dem Ausbau das Gerät ausreichend abkühlen lassen!
- ▶ Das Gehäuse kann im Betrieb heiß werden. Niemals das heiße Thermometer berühren.



WARNUNG!

Körperverletzung

Bei der Demontage besteht Gefahr durch aggressive Medien und hohe Drücke.

- ▶ Angaben im Sicherheitsdatenblatt für den entsprechenden Messstoff beachten.
- ▶ Gerät bzw. Schutzrohr nur im drucklosen Zustand demontieren.

8.2 Rücksendung

Beim Versand des Gerätes unbedingt beachten:

Alle an WIKA gelieferten Geräte müssen frei von Gefahrstoffen (Säuren, Laugen, Lösungen, etc.) sein und sind daher vor der Rücksendung zu reinigen.



WARNUNG!

Körperverletzungen, Sach- und Umweltschäden durch Messstoffreste

Messstoffreste im ausgebauten Gerät können zur Gefährdung von Personen, Umwelt und Einrichtung führen.

- ▶ Bei Gefahrenstoffen das Sicherheitsdatenblatt für den entsprechenden Messstoff beilegen.
- ▶ Gerät reinigen, siehe Kapitel 7.2 „Reinigung“.

8. Demontage, Rücksendung ... / 9. Technische Daten

Zur Rücksendung des Gerätes die Originalverpackung oder eine geeignete Transportverpackung verwenden.

Um Schäden zu vermeiden:

1. Das Gerät mit dem Dämmmaterial in der Verpackung platzieren.
Zu allen Seiten der Transportverpackung gleichmäßig dämmen.
2. Wenn möglich einen Beutel mit Trocknungsmittel der Verpackung beifügen.
3. Sendung als Transport eines hochempfindlichen Messgerätes kennzeichnen.



Hinweise zur Rücksendung befinden sich in der Rubrik „Service“ auf unserer lokalen Internetseite.

8.3 Entsorgung

Durch falsche Entsorgung können Gefahren für die Umwelt entstehen.

Gerätekomponenten und Verpackungsmaterialien entsprechend den landesspezifischen Abfallbehandlungs- und Entsorgungsvorschriften umweltgerecht entsorgen.

9. Technische Daten

Technische Daten	Typ A43
Nenngröße	63, 80, 100
Anzeigebereich	-30 ... +50 °C bis 0 ... 120 °C
Verwendungsbereich	Skalenendwert
Gehäuse <ul style="list-style-type: none">■ Typ A43.10■ Typ A43.20■ Typ A43.30	Aluminium Stahl, verzinkt Kunststoff, schwarz
Prozessanschluss	Schutzrohr G ½ B, Messing
Tauchschaft	Aluminium
Schutzrohr	Messing
Zulässiger Betriebsdruck am Schutzrohr	Max. 6 bar
Anzeigegegenauigkeit	Klasse 2 nach EN 13190
Anzeige Korrektur	Am Tauchschaftende
Skalenwinkel	ca. 270°

9. Technische Daten

Technische Daten	Typ E45
Nenngröße	63
Anzeigebereich	20 ... 100 °C
Verwendungsbereich	Skalenendwert
Gehäuse	Stahl, verzinkt
Prozessanschluss	Tauchschaft glatt, Ø 15 mm
Anzeige Korrektur	Am Tauchschaftende
Skalenwinkel	ca. 100°

DE

Technische Daten	Typ A46
Nenngröße	50, 63, 80, 100
Anzeigebereich	-30 ... +50 °C bis 0 ... 160 °C
Verwendungsbereich	Skalenendwert
Gehäuse	<ul style="list-style-type: none"> ■ Typen A46.10, A46.11 Aluminium ■ Typ A46.20 Stahl, verzinkt ■ Typ A46.30 Kunststoff, schwarz
Anschlussbauformen	<ul style="list-style-type: none"> ■ Typen A46.10, A46.20, A46.30 Mit Schutzrohr ■ Typ A46.11 Anliegeform
Zulässiger Betriebsdruck am Schutzrohr	Max. 6 bar
Anzeige Korrektur	<ul style="list-style-type: none"> ■ Typen A46.10, A46.20, A46.30 Am Tauchschaftende ■ Typ A46.11 Nein
Skalenwinkel	ca. 270°

9. Technische Daten

Technische Daten	Typ A48
Nenngröße	63, 80, 100, 160
Anzeigebereich	-30 ... +50 °C bis 0 ... 120 °C
Verwendungsbereich	Skalenendwert
Gehäuse	Aluminium
Prozessanschluss	Flansch, $\varnothing d_2 = 61$ mm, Stahl verzinkt, auf Tauchschaft verschiebbar
Tauchschaft	Kupferlegierung
Anzeigegenauigkeit	Klasse 2 nach EN 13190
Anzeige Korrektur	Am Tauchschaftende
Skalenwinkel	ca. 270°

Technische Daten	Typ A50
Nenngröße	63, 80, 100, 160
Anzeigebereich	-30 ... +50 °C bis 0 ... 200 °C
Verwendungsbereich	Skalenendwert
Gehäuse	
■ Typ A50.10	Aluminium
■ Typ A50.20	Stahl, verzinkt
Prozessanschluss	Schutzrohr G ½ B, Kupferlegierung
Schutzrohr	Kupferlegierung, abnehmbar mit Feststellschraube
Zulässiger Betriebsdruck am Schutzrohr	Max. 6 bar
Anzeigegenauigkeit	Klasse 2 nach EN 13190
Anzeige Korrektur	Am Tauchschaftende
Skalenwinkel	ca. 270°

9. Technische Daten

Technische Daten	Typ A51
Nenngröße	63, 80, 100
Anzeigebereich	-30 ... +50 °C bis 0 ... 250 °C
Verwendungsbereich	Skalenendwert
Gehäuse	Stahl, verzinkt
Anschlussbauformen <ul style="list-style-type: none">■ Klima und Lüftung■ Flüssige Messstoffe	Anschluss glatt, mit Befestigungsrand hinten Anschluss glatt, mit Kunststoffflansch verschiebbar Anschluss glatt, mit Bunddurchmesser 18 mm für Schutzrohrbefestigung
Tauchschaft	Kupferlegierung
Anzeigege nauigkeit <ul style="list-style-type: none">■ Schutzrohr ausführung■ Befestigungsflansch und Befestigungsrand hinten	Klasse 1 nach EN 13190 Klasse 2 nach EN 13190
Anzeige korrektur	Am Tauchschaftende
Skalenwinkel	ca. 270°

Weitere technische Daten siehe WIKA Datenblätter

TM 43.01 (Typ A43)

TM 45.02 (Typ E45)

TM 46.02 (Typ A46)

TM 48.01 (Typ A48)

TM 50.03 (Typ A50)

TM 51.01 (Typ A51) und Bestellunterlagen.

MAKGIL VIET NAM

Sommaire

1. Généralités	44
2. Conception et fonction	45
3. Sécurité	46
4. Transport, emballage et stockage	49
5. Mise en service, utilisation	50
6. Dysfonctionnements	55
7. Entretien et nettoyage	56
8. Démontage, retour et mise au rebut	57
9. Spécifications	58

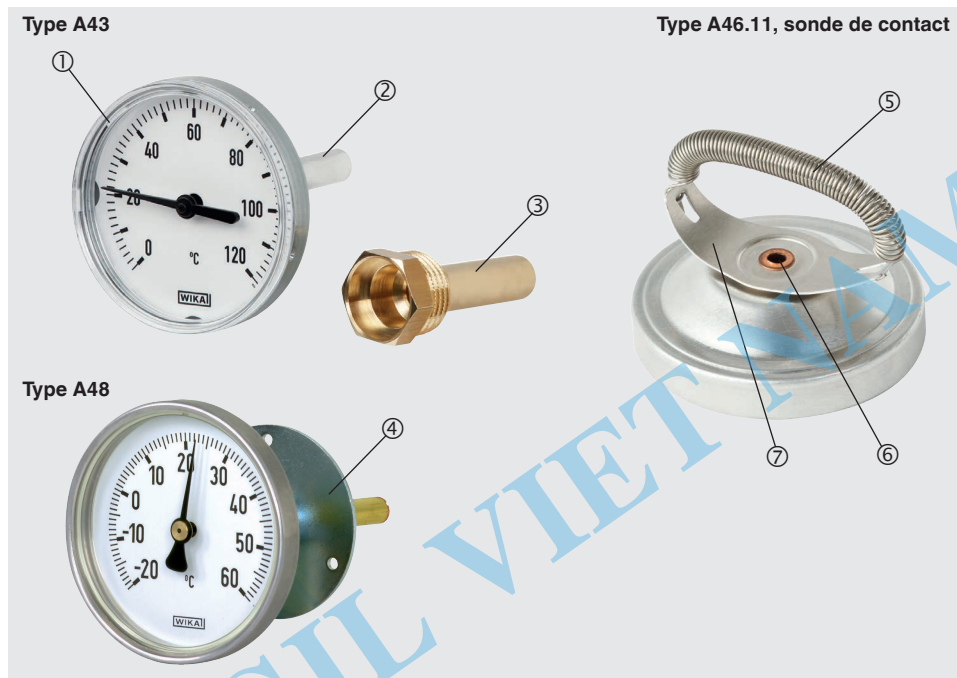
FR

1. Généralités

- Les thermomètres bimétalliques décrits dans le mode d'emploi ont été conçus et fabriqués selon les dernières technologies en vigueur. Tous les composants sont soumis à des exigences environnementales et de qualité strictes durant la fabrication. Nos systèmes de gestion sont certifiés selon ISO 9001 et ISO 14001.
- Ce mode d'emploi donne des indications importantes concernant l'utilisation de l'instrument. Il est possible de travailler en toute sécurité avec ce produit en respectant toutes les consignes de sécurité et d'utilisation.
- Respecter les prescriptions locales de prévention contre les accidents et les prescriptions générales de sécurité en vigueur pour le domaine d'application de l'instrument.
- Le mode d'emploi fait partie de l'instrument et doit être conservé à proximité immédiate de l'instrument et accessible à tout moment pour le personnel qualifié. Confier le mode d'emploi à l'utilisateur ou propriétaire ultérieur de l'instrument.
- Le personnel qualifié doit, avant de commencer toute opération, avoir lu soigneusement et compris le mode d'emploi.
- Les conditions générales de vente mentionnées dans les documents de vente s'appliquent.
- Sous réserve de modifications techniques.
- Pour obtenir d'autres informations :
 - Consulter notre site Internet : www.wika.fr
 - Fiche technique correspondante :
 - TM 43.01 (type A43)
 - TM 45.02 (type E45)
 - TM 46.02 (type A46)
 - TM 48.01 (type A48)
 - TM 50.03 (type A50)
 - TM 51.01 (type A51)

2. Conception et fonction

2.1 Vue générale (exemple)



- ① Boîtier et cadran
- ② Plongeur
- ③ Doigt de gant
- ④ Bride de montage
- ⑤ Clip de montage
- ⑥ Sonde de température
- ⑦ Plaque de fixation

2.2 Description

Les thermomètres bimétalliques décrits ici sont utilisés pour le simple affichage de température, principalement dans l'industrie du chauffage, de la ventilation et de la climatisation.

Les thermomètres bimétalliques utilisent les différentes propriétés des deux métaux pour la mesure de température. Ceux-ci sont sous la forme de bandes métalliques posées les unes sur les autres. La conception de ces thermomètres est très simple. Les bandes métalliques combinées sont disposées autour d'une aiguille dans une spirale. Lors d'un changement, le bimétallique déplace l'aiguille et affiche la température sur une échelle.

2. Conception et fonction / 3. Sécurité

Les types A43, E45, A46, A50 et A51 conviennent particulièrement pour une application dans la technologie du chauffage.

Pour les applications dans la ventilation et la climatisation, les types A48 et A51 sont disponibles.

2.3 Détail de la livraison

Comparer le détail de la livraison avec le bordereau de livraison.

FR

En fonction de la version de l'instrument, l'appareil peut être livré avec des accessoires en vrac (par exemple doigt de gant, bride de montage, clip de montage).

3. Sécurité

3.1 Explication des symboles



AVERTISSEMENT !

... indique une situation présentant des risques susceptibles de provoquer la mort ou des blessures graves si elle n'est pas évitée.



ATTENTION !

... indique une situation potentiellement dangereuse et susceptible de provoquer de légères blessures ou des dommages matériels et pour l'environnement si elle n'est pas évitée.



AVERTISSEMENT !

... indique une situation présentant des risques susceptibles de provoquer des brûlures dues à des surfaces ou liquides chauds si elle n'est pas évitée.



Information

... met en exergue les conseils et recommandations utiles de même que les informations permettant d'assurer un fonctionnement efficace et normal.

3.2 Utilisation conforme à l'usage prévu

Les thermomètres bimétalliques sont utilisés principalement pour surveiller la température du process sur des équipements de chauffage, d'air conditionné et de réfrigération.

Les types A43, A46, A50 et A51 sont utilisés pour la mesure de température des fluides liquides et gazeux à l'aide d'un doigt de gant approprié.

Pression de fonctionnement admissible maximale au niveau du doigt de gant : 6 bar

Le type A46.11 convient pour la mesure des températures de surface de tuyauterie.

Les types A48 et A51 sont utilisés dans la technologie de réfrigération et de conditionnement d'air pour mesurer la température dans les conduits d'air. Ils ne sont adaptés que pour la mesure des fluides gazeux, non dangereux et aussi non pressurisés.

Lors du montage, de la mise en service et du fonctionnement de ces instruments, respectez impérativement les consignes de sécurité nationales pertinentes.

Ces instruments ne sont pas homologués pour un usage en zone explosive !

Les instruments ne conviennent pas pour une utilisation à l'extérieur et doivent être protégés des rayons du soleil et de l'humidité.

Ces instruments sont conçus et construits exclusivement pour une utilisation conforme à l'usage prévu décrit ici, et ne doivent être utilisés qu'à cet effet.

Les spécifications techniques mentionnées dans ce mode d'emploi doivent être respectées. En cas d'utilisation non conforme ou de fonctionnement de l'instrument en dehors des spécifications techniques, un arrêt et contrôle doivent être immédiatement effectués par un collaborateur autorisé du service de WIKA.

Aucune réclamation ne peut être recevable en cas d'utilisation non conforme à l'usage prévu.

3.3 Utilisation inappropriée



AVERTISSEMENT !

Blessures causées par une utilisation inappropriée

Une utilisation inappropriée peut conduire à des situations dangereuses et à des blessures.

- ▶ S'abstenir de modifications non autorisées sur l'instrument
- ▶ Ne pas utiliser l'instrument en zone explosive.
- ▶ Ne pas utiliser l'instrument avec un fluide abrasif ou visqueux.

Toute utilisation différente ou au-delà de l'utilisation prévue est considérée comme inappropriée.

Ne pas utiliser cet instrument dans des dispositifs de sécurité ou d'arrêt d'urgence.

3.4 Responsabilité de l'opérateur

L'instrument est prévu pour un usage dans le domaine industriel. L'opérateur est de ce fait responsable des obligations légales en matière de sécurité du travail.

Les instructions de sécurité de ce mode d'emploi comme les réglementations liées à la sécurité, à la prévention des accidents et à la protection de l'environnement pour le domaine d'application doivent être respectées.

Afin de travailler en toute sécurité sur l'instrument, la société exploitante doit s'assurer

- qu'un équipement de premier secours adapté est disponible et que les premiers soins peuvent être dispensés sur place à tout moment en cas de besoin.
- que le personnel de service soit formé à intervalles réguliers sur tous les sujets concernant la sécurité du travail, les premiers secours et la protection de l'environnement et qu'il connaît le mode d'emploi et particulièrement les consignes de sécurité contenues dans celui-ci.
- que l'instrument est adapté à l'application en respect de l'usage prévu de l'instrument.
- qu'un équipement de protection est disponible.

3.5 Qualification du personnel



AVERTISSEMENT !

Danger de blessure en cas de qualification insuffisante !

Une utilisation non conforme peut entraîner d'importants dommages corporels et matériels.

- ▶ Les opérations décrites dans ce mode d'emploi ne doivent être effectuées que par un personnel ayant la qualification décrite ci-après.

Personnel qualifié

Le personnel qualifié, autorisé par l'opérateur, est, en raison de sa formation spécialisée, de ses connaissances dans le domaine de l'instrumentation de mesure et de régulation et de son expérience, de même que de sa connaissance des réglementations nationales et des normes en vigueur, en mesure d'effectuer les travaux décrits et d'identifier de façon autonome les dangers potentiels.

Les conditions d'utilisation spéciales exigent également une connaissance adéquate, par ex. des liquides agressifs.

4. Transport, emballage et stockage

4.1 Transport

Vérifier s'il existe des dégâts sur l'instrument liés au transport.
Communiquer immédiatement les dégâts constatés.



ATTENTION !

Dommages liés à un transport inapproprié

Un transport inapproprié peut donner lieu à des dommages importants.

- ▶ Lors du déchargement des colis à la livraison comme lors du transport des colis en interne après réception, il faut procéder avec soin et observer les consignes liées aux symboles figurant sur les emballages.
- ▶ Lors du transport en interne, observer les instructions du chapitre 4.2 "Emballage et stockage".

Si l'instrument est transporté d'un environnement froid dans un environnement chaud, la formation de condensation peut provoquer un dysfonctionnement fonctionnel de l'instrument. Il est nécessaire d'attendre que la température de l'instrument se soit adaptée à la température ambiante avant une nouvelle mise en service.

4.2 Emballage et stockage

N'enlever l'emballage qu'avant le montage.

Conserver l'emballage, celui-ci offre, lors d'un transport, une protection optimale (par ex. changement de lieu d'utilisation, renvoi pour réparation).

Conditions admissibles sur le lieu de stockage :

- Température de stockage : -20 ... +60 °C
- Humidité : de 35 ... 85 % d'humidité relative (sans condensation)

Eviter les influences suivantes :

- Lumière solaire directe ou proximité d'objets chauds
- Vibrations mécaniques, chocs mécaniques (mouvements brusques en le posant)
- Suié, vapeur, poussière et gaz corrosifs
- Environnements dangereux, atmosphères inflammables

Conserver l'instrument dans l'emballage original dans un endroit qui satisfait aux conditions susmentionnées. Si l'emballage d'origine n'est pas disponible, emballer et stocker l'instrument comme suit :

1. Emballer l'instrument dans une feuille de plastique.
2. Placer l'instrument avec le matériau isolant et la protection de plongeur (si elle accompagne l'instrument) dans l'emballage.
3. En cas d'entreposage long (plus de 30 jours), mettre également un sachet absorbant d'humidité dans l'emballage.

5. Mise en service, utilisation

Personnel : personnel qualifié

Outils : clé plate (SW 21), tournevis à fente



AVERTISSEMENT !

Blessures physiques et dommages aux équipements et à l'environnement causés par un fluide dangereux

Lors du contact avec un fluide dangereux, un fluide nocif (par exemple corrosif, toxique, cancérigène) et également avec des installations frigorifiques et des compresseurs, il y a un danger de blessures physiques et de dommages aux équipements et à l'environnement.

Des fluides agressifs peuvent être présents à une température extrême et sous une pression élevée ou sous vide au niveau de l'instrument.

- Pour ces fluides, les codes et directives appropriés existants doivent être observés en plus des réglementations standard.



Examiner avec soin le matériau d'emballage pour s'assurer qu'aucun accessoire qui pourrait figurer dans la livraison ne soit perdu et vérifier si les accessoires nécessaires - en fonction du type de montage du boîtier - sont présents (voir chapitre 2.3 "Détail de la livraison").

5.1 Doigt de gant

(ne s'applique pas aux types E45.10, A46.11, A48.10 et A51)



ATTENTION !

Endommagements causés par une mauvaise installation

Si, lors du montage de l'instrument, le couple nécessaire est appliqué au boîtier, cela peut conduire à l'endommagement du thermomètre.

- Lors de l'installation avec un doigt de gant, celui-ci doit être serré via les méplats pour clé fournis à cet effet à l'aide d'une clé plate appropriée.

Avant l'installation, vérifier si le matériau utilisé (spécifié dans le bordereau de livraison) est chimiquement résistant ou neutre par rapport au fluide que l'on va mesurer.

5.2 Installation et assemblage

5.2.1 Types A43, A46, A50, A51

1. Avant l'installation, vérifier si le matériau du doigt de gant utilisé (spécifié dans le bordereau de livraison) est chimiquement résistant ou neutre par rapport au fluide que l'on va mesurer.
2. Lorsqu'on utilise des filetages parallèles, un joint d'étanchéité approprié doit être utilisé lors du montage. Des filetages coniques doivent être scellés en utilisant un matériau d'étanchéité approprié.
3. Insérer le doigt de gant dans l'adaptateur de process sans forcer et sans endommager l'une ou l'autre partie et le serrer (clé plate, SW 21). Le doigt de gant ne doit pas être plié ou modifié pour le montage. En général, l'extrémité du doigt de gant doit être placé au niveau du tiers central de la tuyauterie.

4.1 Version sans vis de serrage sur le doigt de gant

Insérer le thermomètre dans le doigt de gant, jusqu'à la butée. Pour ce faire, surmonter la résistance ressentie. Le serrage est généré par un élargissement ponctuel du diamètre au niveau du plongeur ou par le diamètre en forme d'étoile sous le boîtier. S'assurer ici que la force est appliquée le plus droit possible vers le doigt de gant et que l'instrument de mesure n'est pas courbé par cette force. Pour l'utilisation des doigts de gant spéciaux, il est également possible d'effectuer le serrage par l'intermédiaire d'un ressort de serrage situé sur le plongeur.

4.2 Version avec vis de serrage sur le doigt de gant

Insérer le thermomètre dans le doigt de gant, jusqu'à la butée. S'assurer ici que la force est appliquée le plus droit possible vers le doigt de gant et que l'instrument de mesure n'est pas courbé par cette force. Au moyen d'un tournevis approprié, serrer à la main la vis située sur le côté de la tête de doigt du gant.

5.2.2 Type A46.11

1. Enlever une pièce de l'isolation de la tuyauterie. La surface de la partie dénudée doit être suffisamment grande, comme nécessaire pour l'installation de l'instrument. Des surfaces inutilement exposées peuvent fausser les résultats de mesure par des erreurs de dissipation thermique dans l'environnement.
2. La plaque de fixation appliquée à l'arrière du thermomètre doit être adaptée par pliage à la courbe de la tuyauterie de manière à ce que l'élément de mesure du capteur de température se trouve sur la paroi de la tuyauterie.
3. Serrer la pince de montage incluse dans la livraison sur un côté de la plaque de fixation. Amener la pince autour de l'arrière de la tuyauterie et l'accrocher sur l'autre côté de la plaque de fixation.

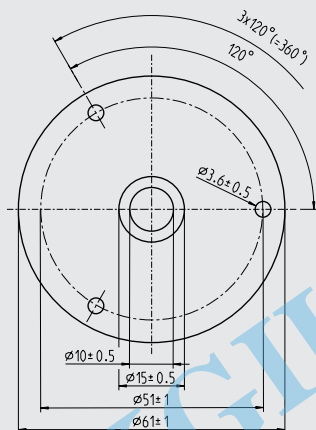
5. Mise en service, utilisation

5.2.3 Types A48 et A51

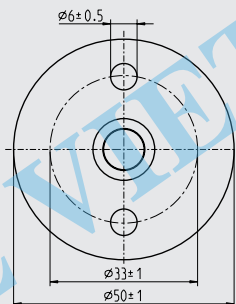
Installation avec bride de montage coulissant sur le plongeur

1. Placer les orifices sur la paroi du conduit d'air prévue (voir figures ci-dessous) au moyen des cotes de la bride de montage.
2. Détacher la bride de montage du thermomètre. Placer la bride avec la surface plane sur la paroi et la fixer à l'aide des vis appropriées et d'un tournevis.
3. Insérer le thermomètre dans la bride. Le placer à la profondeur d'immersion désirée dans le conduit d'air. Ensuite, à l'aide d'un tournevis approprié, serrer à la main les vis de fixation (qui se trouvent sur le côté de la bride) et ainsi fixer le thermomètre.

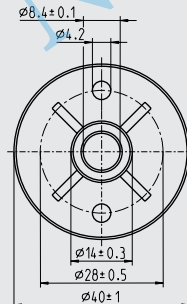
Bride type A48, D61



Bride type A48, D50



Bride type A51, D40



Recommandation pour l'orifice du plongeur :

$\varnothing 9,2 + 0,1$

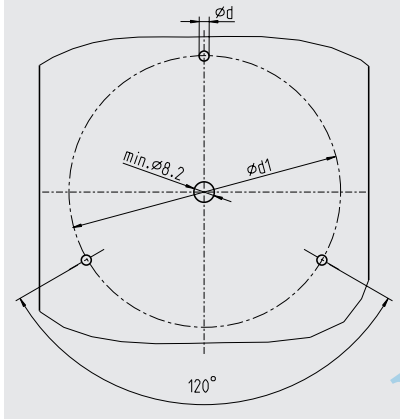
$\varnothing 9,2 + 0,1$

$\varnothing 8,2 + 0,1$

Installation avec collerette arrière

1. Placer les orifices sur la paroi du conduit d'air prévue (voir figure ci-dessous) au moyen des cotes de la collerette arrière.
2. Insérer le plongeur du thermomètre dans l'alésage central jusqu'à ce que la collerette arrière repose à plat sur la paroi du conduit d'air. Le fixer au moyen des vis appropriées et d'un tournevis.

Bague de fixation arrière, type A51



5.3 Erreur de dissipation thermique

Des erreurs de dissipation thermique se produisent si la chambre de mesure dont la température doit être affichée est si petite que la masse de la sonde de température agit nettement comme capacité thermique. Un tel phénomène peut aussi se produire si la profondeur d'insertion est insuffisante, si les supports de montage sont fixés sur un bon conducteur thermique (plaques en acier ou similaires) et s'il existe une différence considérable entre la température à mesurer et celle de l'élément d'installation.

5.4 Contrôles de mesure

Les contrôles de mesure ne doivent être effectués qu'en comparaison avec un instrument plus précis ou avec un instrument étalonné. La température doit demeurer constante pendant le contrôle. Des températures fluctuantes peuvent conduire à des erreurs de lecture provoquées par des temps de réponse différents des capteurs.

Avec les thermomètres **sans** doigts de gant et avec une longueur utile complète et correcte, un temps d'attente minimal de 10 minutes doit être conservé pour le lissage de la température.

Avec les thermomètres **avec** doigts de gant et avec une longueur utile complète et correcte, un temps d'attente d'au moins 15 minutes doit être observé pour le lissage de la température.

Un contrôle de l'affichage et des fonctions de commande est recommandé 1 à 2 fois/an.

5.5 Correction d'affichage

(ne s'applique pas au thermomètre de surface type A46.11)



FR

La vis à l'extrémité du plongeur (voir l'illustration) sert à la correction d'affichage. Serrer la vis provoque un changement immédiat de la valeur affichée et ne doit être effectué qu'après consultation avec le fabricant. Une fois la consultation terminée, effectuer les étapes 1 à 4.

1. Retirer l'instrument du process.
2. Laisser l'instrument refroidir à température ambiante.
3. Maintenir l'instrument par le boîtier (et PAS sur le plongeur), à l'aide d'un tournevis, tourner la "vis" à l'extrémité du plongeur jusqu'à ce que la différence de température définie a été compensée (dans le sens des aiguilles d'une montre = augmentation, dans le sens inverse des aiguilles d'une montre = réduction de la valeur affichée).
4. Effectuer une correction d'affichage (voir chapitre 5.4 "Contrôles de mesure").

6. Dysfonctionnements

Personnel : personnel qualifié

Outils : clé plate, tournevis à fente



ATTENTION !

Blessures physiques, dommages aux équipements et à l'environnement

Si les défauts ne peuvent pas être éliminés au moyen des mesures listées, l'instrument doit être mis hors service immédiatement.

- ▶ Assurez-vous qu'il n'y a plus aucune pression présente et empêchez toute remise en marche accidentelle.
- ▶ Contacter le fabricant.
- ▶ S'il est nécessaire de retourner l'instrument au fabricant, prière de respecter les indications mentionnées au chapitre 8.2 "Retour".



AVERTISSEMENT !

Blessures physiques et dommages aux équipements et à l'environnement causés par un fluide dangereux

Lors du contact avec un fluide dangereux, un fluide nocif (par exemple corrosif, toxique, cancérigène) et également avec des installations frigorifiques et des compresseurs, il y a un danger de blessures physiques et de dommages aux équipements et à l'environnement.

Des fluides agressifs peuvent être présents à une température extrême et sous une pression élevée ou sous vide au niveau de l'instrument.

- ▶ Pour ces fluides, les codes et directives appropriés existants doivent être observés en plus des réglementations standard.



Pour le détail des contacts, merci de consulter le chapitre 1 "Généralités" ou le dos du mode d'emploi.

Dysfonctionnements	Raisons	Mesures
Une valeur incorrecte est affichée	Un dysfonctionnement s'est produit	Remplacer l'instrument de mesure
	Un décalage au point zéro s'est produit	Effectuer une correction d'affichage (voir chapitre 5.5 "Correction d'affichage")
	Erreur de dissipation thermique	Vérifier la sélection d'instrument et la situation d'installation (voir chapitre 5.3 "Erreur de dissipation thermique")
Fluide sortant (fuite)	Le matériau du doigt de gant ne convient pas	Utiliser un doigt de gant approprié et remplacer l'instrument de mesure.
	Le joint d'étanchéité du doigt de gant est défectueux	Remplacer le joint d'étanchéité
	Pression du process inadmissible car trop haute	Arrêter l'installation, régler la pression du process, remplacer le doigt de gant et l'instrument de mesure si nécessaire (voir chapitre 8.1 "Démontage")

7. Entretien et nettoyage



Pour le détail des contacts, merci de consulter le chapitre 1 “Généralités” ou le dos du mode d'emploi.

7.1 Entretien

Ces thermomètres bimétalliques ne nécessitent pas d'entretien.

Un contrôle de l'affichage est recommandé une à deux fois par an. (voir chapitre 5.4 “Contrôles de mesure”).

Les réparations ne doivent être effectuées que par le fabricant.

7.2 Nettoyage



ATTENTION !

Blessures physiques, dommages aux équipements et à l'environnement

Un nettoyage inapproprié peut conduire à des blessures physiques et à des dommages aux équipements ou à l'environnement. Les restes de fluides se trouvant dans les instruments démontés peuvent mettre en danger les personnes, l'environnement ainsi que l'installation.

► Effectuer la procédure de nettoyage comme décrit ci-dessous.

1. Avant le nettoyage, débrancher correctement l'instrument du processus.
2. Utiliser l'équipement de protection requis.
3. Nettoyer l'instrument avec un chiffon humide (eau savonneuse).



ATTENTION !

Dommages à l'instrument

Un nettoyage inapproprié peut endommager l'instrument !

- Ne pas utiliser de détergents agressifs.
- Ne pas utiliser d'objets pointus ou durs pour le nettoyage.

8. Démontage, retour et mise au rebut

8.1 Démontage



AVERTISSEMENT !

Blessures physiques et dommages aux équipements et à l'environnement liés aux résidus de fluides

Lors du contact avec un fluide dangereux, un fluide nocif (par exemple corrosif, toxique, cancérigène) et également avec des installations frigorifiques et des compresseurs, il y a un danger de blessures physiques et de dommages aux équipements et à l'environnement.

- ▶ Avant de stocker l'instrument démonté (à la suite de son utilisation), le nettoyer afin de protéger le personnel et l'environnement contre le danger lié aux résidus de fluides.
- ▶ Observer les informations de la fiche technique de sécurité de matériau pour le fluide correspondant.



AVERTISSEMENT !

Danger de brûlures

Durant le démontage, il y a un danger lié à l'échappement de fluides dangereusement chauds.

- ▶ Avant le démontage du thermomètre, laisser refroidir suffisamment l'instrument !
- ▶ Le boîtier peut devenir brûlant lors du fonctionnement. Ne jamais toucher un thermomètre brûlant.



AVERTISSEMENT !

Blessures physiques

Lors du démontage, le danger peut provenir de fluides agressifs et de pressions élevées.

- ▶ Observer les informations de la fiche technique de sécurité de matériau pour le fluide correspondant.
- ▶ Déconnecter l'instrument ou le doigt de gant seulement si le système a été mis hors pression !

8.2 Retour

En cas d'envoi de l'instrument, il faut respecter impérativement ceci :

Tous les instruments livrés à WIKA doivent être exempts de substances dangereuses (acides, bases, solutions, etc.) et doivent donc être nettoyés avant d'être retournés.



AVERTISSEMENT !

Blessures physiques et dommages aux équipements et à l'environnement liés aux résidus de fluides

Les restes de fluides se trouvant dans les instruments démontés peuvent mettre en danger les personnes, l'environnement ainsi que l'installation.

- ▶ Avec les substances dangereuses, afficher la fiche technique de sécurité de matériau pour le fluide correspondant.
- ▶ Nettoyer l'instrument, voir chapitre 7.2 "Nettoyage".

8. Démontage, retour et mise au rebut / 9. Spécifications

Pour retourner l'instrument, utiliser l'emballage original ou un emballage adapté pour le transport.

Pour éviter des dommages :

1. Placer l'instrument avec le matériau isolant dans l'emballage.
Isoler de manière uniforme tous les côtés de l'emballage de transport.
2. Mettre si possible un sachet absorbant d'humidité dans l'emballage.
3. Indiquer lors de l'envoi qu'il s'agit d'un instrument de mesure très sensible à transporter.

FR



Des informations relatives à la procédure de retour sont disponibles sur notre site Internet à la rubrique "Services".

8.3 Mise au rebut

Une mise au rebut inadéquate peut entraîner des dangers pour l'environnement. Eliminer les composants des instruments et les matériaux d'emballage conformément aux prescriptions nationales pour le traitement et l'élimination des déchets et aux lois de protection de l'environnement en vigueur.

9. Spécifications

Spécifications	Type A43
Diamètre	63, 80, 100
Echelle de mesure	-30 ... +50 °C à 0 ... 120 °C
Plage de travail	Valeur pleine échelle
Boîtier <ul style="list-style-type: none">■ Type A43.10■ Type A43.20■ Type A43.30	Aluminium Acier, galvanisé Plastique, noir
Raccord process	Doigt de gant G ½ B, laiton
Plongeur	Aluminium
Doigt de gant	Laiton
Pression de fonctionnement admissible au niveau du doigt de gant	Max. 6 bar
Précision de mesure	Classe 2 selon EN 13190
Correction d'affichage	A l'extrémité du plongeur
Angle d'échelle	environ 270°

9. Spécifications

Spécifications	Type E45
Diamètre	63
Echelle de mesure	20 ... 100 °C
Plage de travail	Valeur pleine échelle
Boîtier	Acier, galvanisé
Raccord process	Plongeur lisse, Ø 15 mm
Correction d'affichage	A l'extrémité du plongeur
Angle d'échelle	environ 100°

Spécifications	Type A46
Diamètre	50, 63, 80, 100
Echelle de mesure	-30 ... +50 °C à 0 ... 160 °C
Plage de travail	Valeur pleine échelle
Boîtier	Aluminium Acier, galvanisé Plastique, noir
Formes du raccord	Avec doigt de gant Version à clipser
Pression de fonctionnement admissible au niveau du doigt de gant	Max. 6 bar
Correction d'affichage	A l'extrémité du plongeur Non
Angle d'échelle	environ 270°

9. Spécifications

Spécifications	Type A48
Diamètre	63, 80, 100, 160
Echelle de mesure	-30 ... +50 °C à 0 ... 120 °C
Plage de travail	Valeur pleine échelle
Boîtier	Aluminium
Raccord process	Bride, $\varnothing d_2 = 61$ mm, acier galvanisé, réglable sur le plongeur
Plongeur	Alliage de cuivre
Précision de mesure	Classe 2 selon EN 13190
Correction d'affichage	A l'extrémité du plongeur
Angle d'échelle	environ 270°

Spécifications	Type A50
Diamètre	63, 80, 100, 160
Echelle de mesure	-30 ... +50 °C à 0 ... 200 °C
Plage de travail	Valeur pleine échelle
Boîtier	<ul style="list-style-type: none"> ■ Type A50.10 Aluminium ■ Type A50.20 Acier, galvanisé
Raccord process	Doigt de gant G ½ B, alliage de cuivre
Doigt de gant	Alliage de cuivre, amovible avec vis de maintien
Pression de fonctionnement admissible au niveau du doigt de gant	Max. 6 bar
Précision de mesure	Classe 2 selon EN 13190
Correction d'affichage	A l'extrémité du plongeur
Angle d'échelle	environ 270°

FR

9. Spécifications

Spécifications	Type A51
Diamètre	63, 80, 100
Echelle de mesure	-30 ... +50 °C à 0 ... 250 °C
Plage de travail	Valeur pleine échelle
Boîtier	Acier, galvanisé
Formes du raccord <ul style="list-style-type: none">■ Conditionnement d'air et ventilation■ Fluides liquides	Plongeur lisse, avec collerette arrière Plongeur lisse, avec bride coulissante en plastique Plongeur lisse, avec un diamètre de collier de 18 mm pour l'installation d'un doigt de gant
Plongeur	Alliage de cuivre
Précision de mesure <ul style="list-style-type: none">■ Exécution des doigts de gant■ Bride de montage et collerette arrière	Classe 1 selon EN 13190 Classe 2 selon EN 13190
Correction d'affichage	A l'extrémité du plongeur
Angle d'échelle	environ 270°

Pour de plus amples spécifications voir les fiches techniques WIKA

TM 43.01 (type A43)

TM 45.02 (type E45)

TM 46.02 (type A46)

TM 48.01 (type A48)

TM 50.03 (type A50)

TM 51.01 (type A51) et documentation de commande.

MAKGIL VIET NAM

Contenido

1. Información general	64
2. Diseño y función	65
3. Seguridad	66
4. Transporte, embalaje y almacenamiento	69
5. Puesta en servicio, funcionamiento	70
6. Errores	75
7. Mantenimiento y limpieza	76
8. Desmontaje, devolución y eliminación de residuos	77
9. Datos técnicos	78

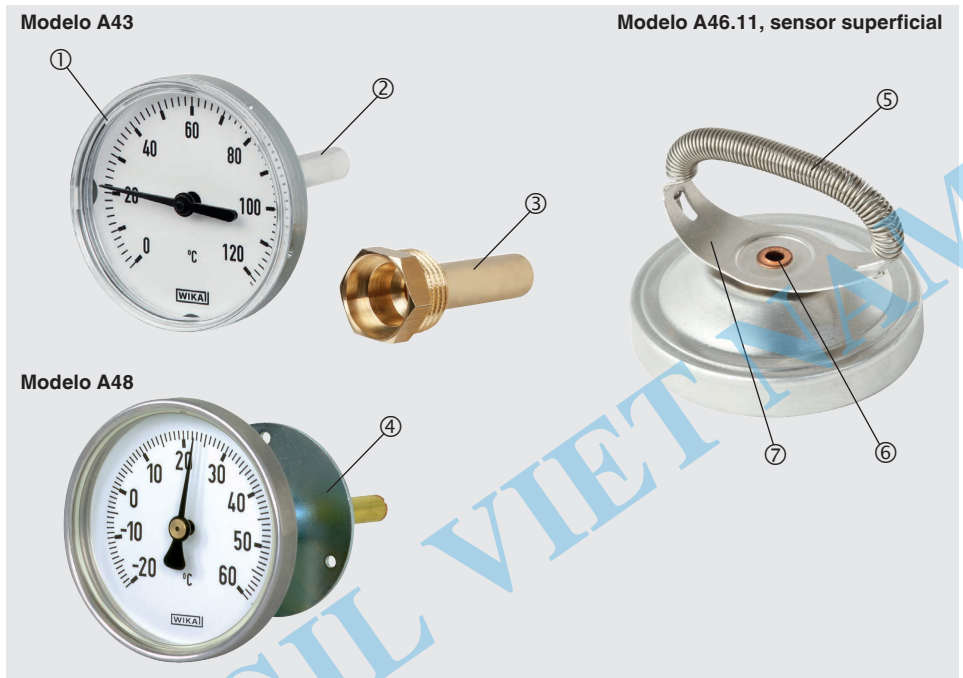
ES

1. Información general

- Los termómetros bimetálicos descritos en el manual de instrucciones se fabrican conforme al estado actual de la técnica. Todos los componentes están sujetos a rigurosos criterios de calidad y medio ambiente durante la producción. Nuestros sistemas de gestión están certificados según ISO 9001 e ISO 14001.
- Este manual de instrucciones proporciona indicaciones importantes acerca del manejo del instrumento. Para un trabajo seguro, es imprescindible cumplir con todas las instrucciones de seguridad y manejo indicadas.
- Cumplir siempre las normativas sobre la prevención de accidentes y las normas de seguridad en vigor en el lugar de utilización del instrumento.
- El manual de instrucciones es una parte integrante del instrumento y debe guardarse en la proximidad del mismo para que el personal especializado pueda consultarlo en cualquier momento. Entregar el manual de instrucciones al usuario o propietario siguiente del instrumento.
- El personal especializado debe haber leído y entendido el manual de instrucciones antes de comenzar cualquier trabajo.
- Se aplican las condiciones generales de venta incluidas en la documentación de venta.
- Modificaciones técnicas reservadas.
- Para obtener más informaciones consultar:
 - Página web: www.wika.es
 - Hoja técnica correspondiente: TM 43.01 (modelo A43)
TM 45.02 (modelo E45)
TM 46.02 (modelo A46)
TM 48.01 (modelo A48)
TM 50.03 (modelo A50)
TM 51.01 (modelo A51)

2. Diseño y función

2.1 Visión general (ejemplo)



- ① Caja y esfera
- ② Bulbo
- ③ Vaina
- ④ Brida de fijación
- ⑤ Resorte de montaje
- ⑥ Transductor de temperatura
- ⑦ Placa abrazadera

2.2 Descripción

Los termómetros bimetalicos que se describen en este documento son adecuados para una indicación simple de la temperatura, principalmente en las áreas de calefacción, aire acondicionado y ventilación.

Los termómetros bimetalicos aplican las distintas propiedades de dos metales para medir la temperatura. Estos se superponen en forma de delgadas tiras metálicas. La estructura de dichos termómetros es muy sencilla. La tira de metal combinado se posiciona en forma espiral alrededor de una aguja indicadora. Al producirse una flexión en el bimetálico, la aguja indicadora se mueve e indica la temperatura en una escala.

2. Diseño y función / 3. Seguridad

Los modelos A43, E45, A46, A50 y A51 son ideales para el uso en la ingeniería de calefacción.

Para el uso en la ingeniería de ventilación y climatización disponemos de los modelos A48 y A51.

2.3 Volumen de suministro

Comparar mediante el albarán si se han entregado todas las piezas.

Según el modelo, el dispositivo puede estar acompañado de accesorios sueltos (por ejemplo, vaina, brida de fijación, resorte de montaje).

ES

3. Seguridad

3.1 Explicación de símbolos



¡ADVERTENCIA!

... indica una situación probablemente peligrosa que puede causar la muerte o lesiones graves si no se la evita.



¡CUIDADO!

... indica una situación probablemente peligrosa que puede causar lesiones leves o medianas, o daños materiales y medioambientales, si no se la evita.



¡ADVERTENCIA!

... indica una situación probablemente peligrosa que puede causar quemaduras debido a superficies o líquidos calientes si no se evita.



Información

... destaca consejos y recomendaciones útiles así como informaciones para una utilización eficiente y libre de errores.

3.2 Uso conforme a lo previsto

Los termómetros bimetálicos se utilizan principalmente en la instrumentación de calefacción, aire acondicionado y refrigeración para la monitorización de la temperatura del proceso.

Los modelos A43, A46, A50 y A51 sirven para medir la temperatura de medios líquidos y gaseosos, utilizando una vaina adecuada.

Presión máx. de servicio admisible en la vaina: 6 bar

El modelo A46.11 es adecuado para la medición de temperaturas superficiales de tubos.

Los modelos A48 y A51 se utilizan en la instrumentación de refrigeración y aire acondicionado para medir las temperaturas en los conductos de aire. Son adecuados sólo para medir la temperatura de medios gaseosos no peligrosos y no presurizados.

Observar las correspondientes normativas nacionales de seguridad durante el montaje, la puesta en servicio y la operación de estos instrumentos.

¡Los dispositivos no están homologados para aplicaciones en zonas potencialmente explosivas!

Los instrumentos no son adecuados para su uso en exteriores y deben protegerse de la radiación solar directa, así como de la humedad.

Los instrumentos han sido diseñados y construidos únicamente para la finalidad aquí descrita y deben utilizarse en conformidad a la misma.

Cumplir las especificaciones técnicas de este manual de instrucciones. Un manejo no apropiado o una utilización del instrumento no conforme a las especificaciones técnicas requiere la inmediata puesta fuera de servicio y la comprobación por parte de un técnico autorizado por WIKA.

No se admite ninguna reclamación debido a una utilización no conforme a lo previsto.

3.3 Uso incorrecto



¡ADVERTENCIA!

Lesiones por uso incorrecto

El uso incorrecto del dispositivo puede causar lesiones graves o la muerte.

- ▶ Abstenerse realizar modificaciones no autorizadas del dispositivo.
- ▶ No utilizar el dispositivo en zonas potencialmente explosivas.
- ▶ No utilizar el instrumento para medios abrasivos ni viscosos.

Cualquier uso que no sea el previsto para este dispositivo es considerado como uso incorrecto.

No utilizar este instrumento en sistemas de seguridad o dispositivos de parada de emergencia.

3. Seguridad

3.4 Responsabilidad del usuario

El dispositivo se utiliza en el sector industrial. Por lo tanto, el usuario está sujeto a las responsabilidades legales para la seguridad en el trabajo.

Se debe cumplir las notas de seguridad en este manual de instrucciones, así como la validez de las normas de seguridad de la unidad, de prevención de accidentes y protección del medio ambiente.

Para realizar un trabajo seguro en el instrumento el propietario ha de asegurarse de que,

- esté disponible un kit de primeros auxilios que siempre esté presente y ayuda en caso necesario.
- los operadores reciban periódicamente instrucciones, sobre todos los temas referidos a seguridad de trabajo, primeros auxilios y protección del medio ambiente, y conozcan además el manual de instrucciones y en particular las instrucciones de seguridad del mismo.
- que el dispositivo es adecuado de acuerdo con el uso previsto para la aplicación.
- el equipo de protección individual esté disponible.

3.5 Cualificación del personal



¡ADVERTENCIA!

¡Riesgo de lesiones debido a una insuficiente cualificación!

Un manejo no adecuado puede causar considerables daños personales y materiales.

- ▶ Las actividades descritas en este manual de instrucciones deben realizarse únicamente por personal especializado con la consiguiente cualificación.

Personal especializado

Debido a su formación profesional, a sus conocimientos de la técnica de regulación y medición así como a su experiencia y su conocimiento de las normativas, normas y directivas vigentes en el país de utilización el personal especializado autorizado por el usuario es capaz de ejecutar los trabajos descritos y reconocer posibles peligros por sí solo.

Algunas condiciones de uso específicas requieren conocimientos adicionales, p. ej. acerca de medios agresivos.

4. Transporte, embalaje y almacenamiento

4.1 Transporte

Comprobar si el instrumento presenta eventuales daños causados en el transporte. Notificar daños obvios de forma inmediata.



¡CUIDADO!

Daños debidos a un transporte inadecuado

Transportes inadecuados pueden causar daños materiales considerables.

- ▶ Tener cuidado al descargar los paquetes durante la entrega o el transporte dentro de la compañía y respetar los símbolos en el embalaje.
- ▶ Observar las instrucciones en el capítulo 4.2 “Embalaje y almacenamiento” en el transporte dentro de la compañía.

Si se transporta el instrumento de un ambiente frío a uno caliente, puede producirse un error de funcionamiento en el mismo. En tal caso, hay que esperar a que la temperatura del instrumento se adapte a la temperatura ambiente antes de ponerlo nuevamente en funcionamiento.

4.2 Embalaje y almacenamiento

No quitar el embalaje hasta justo antes del montaje.

Guardar el embalaje ya que es la protección ideal durante el transporte (por ejemplo si el lugar de instalación cambia o si se envía el instrumento para posibles reparaciones).

Condiciones admisibles en el lugar de almacenamiento:

- Temperatura de almacenamiento: -20 ... +60 °C
- Humedad: 35 ... 85 % humedad relativa (sin condensación)

Evitar lo siguiente:

- Luz solar directa o proximidad a objetos calientes
- Vibración mecánica, impacto mecánico (colocación brusca)
- Hollín, vapor, polvo y gases corrosivos
- Entorno potencialmente explosivo, atmósferas inflamables

Almacenar el instrumento en su embalaje original en un lugar que cumpla con las condiciones arriba mencionadas. Si no se dispone del embalaje original, empaquetar y almacenar el instrumento como sigue:

1. Envolver el instrumento en un film de plástico.
2. Colocar el instrumento junto con el material aislante y la protección del tubo de inmersión (si suministrada) en el embalaje.
3. Para un almacenamiento prolongado (más de 30 días) meter una bolsa con un secante en el embalaje.

5. Puesta en servicio, funcionamiento

Personal: personal especializado

Herramientas: Llave de boca 21, destornillador plano



¡ADVERTENCIA!

Lesiones corporales, daños materiales y del medio ambiente causados por medios peligrosos

En caso de contacto con medios peligrosos, medios nocivos para la salud (p. ej. corrosivas, tóxicas, cancerígenas) y con sistemas de refrigeración o compresores existe el peligro de lesiones corporales, daños materiales y del medio ambiente.

El instrumento puede haber sido expuesto a medios agresivos con temperaturas extremas o presiones altas o vacío.

- ▶ Con estos medios deben observarse en cada caso, además de todas las reglas generales, las disposiciones pertinentes.



Revisar minuciosamente el material de embalaje, a fin de que no se pierdan accesorios eventualmente adjuntos, y comprobar si se encuentran todos los accesorios necesarios, según el tipo de fijación del instrumento (véase el capítulo 2.3 "Volumen de suministro").

5.1 Vaina

(no en los modelos E45.10, A46.11, A48.10 y A51)



¡CUIDADO!

Daños debido a un montaje inadecuado

Si al enroscar los instrumentos la fuerza necesaria se aplica sobre la caja, ello puede causar daños en el termómetro.

- ▶ En el montaje con vaina, apretarla aplicando una llave de boca adecuada en los puntos previstos para ello.

Antes del montaje comprobar si el material utilizado (especificado en el albarán) es químicamente resistente o neutral frente al medio.

5.2 Incorporación y montaje

5.2.1 Modelos A43, A46, A50, A51

1. Antes del montaje comprobar si el material utilizado en la vaina (especificado en el albarán) es químicamente resistente o neutral frente al medio.
2. Utilizar una junta adecuada para el montaje de roscas cilíndricas. Sellar las roscas cónicas con un sellador adecuado.
3. Insertar la vaina de protección en el alojamiento del proceso sin aplicar fuerza o sin causar daños y enroscarla (llave de boca 21). No está permitido doblar o adaptar la vaina para efectuar el montaje. Generalmente, la punta de la vaina debería encontrarse en el tercio céntrico de la tubería.

4.1 Versión sin tornillo de sujeción en la vaina

Introducir el termómetro en la vaina hasta el tope. Es necesario superar aquí una resistencia perceptible. La sujeción se efectúa mediante una ampliación selectiva del diámetro en el bulbo o por el diámetro de la estrella debajo de la caja. Asegúrese de aplicar la fuerza, en lo posible, en línea recta hacia la vaina, cuidando de que no se doble el instrumento. Para la utilización de vainas especiales es posible la sujeción también mediante un resorte de montaje en el bulbo.

4.2 Versión con tornillo de sujeción en la vaina

Introducir el termómetro en la vaina hasta el tope. Asegúrese de aplicar la fuerza, en lo posible, en línea recta hacia la vaina, cuidando de que no se doble el instrumento. Con la ayuda de un destornillador adecuado apretar a mano el tornillo ubicado lateralmente en la cabeza de la vaina.

5.2.2 Modelo A46.11

1. Retirar un trozo del aislamiento del tubo. La superficie del área sin aislamiento no debería superar el tamaño que se requiere para realizar el montaje del instrumento. Las superficies expuestas distorsionan el resultado de la medición debido a errores causados por la disipación de calor hacia el medio ambiente.
2. Adaptar la placa abrazadera ubicada en la parte posterior del termómetro a la curvatura del tubo flexionándola, de modo que el transductor de temperatura se asiente contra la pared del tubo.
3. Sujetar en un lado de la placa de montaje el resorte de montaje suministrado. Conducir el resorte alrededor de la parte posterior del tubo y engancharlo en el otro lado de la placa de montaje.

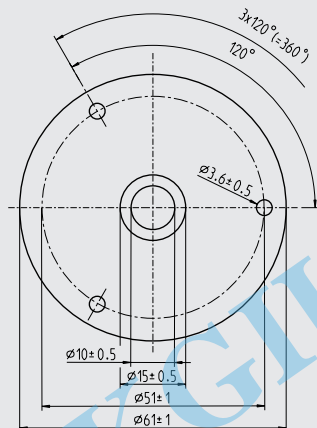
5. Puesta en servicio, funcionamiento

5.2.3 Modelos A48 y A51

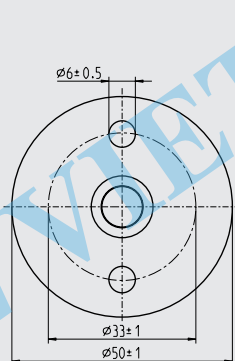
Montaje en el bulbo con brida de fijación desplazable

1. En base a la medida de la brida de fijación, efectuar los taladros en la pared del conducto de aire prevista para ello (véase la figura más abajo)
2. Aflojar la brida de fijación del termómetro. Apoyar la brida con la superficie plana sobre la pared y fijarla con tornillos adecuados y un destornillador.
3. Introducir el termómetro en la brida. Alinear a la profundidad de inmersión deseada en el conducto de aire. Posteriormente, con la ayuda de un destornillador adecuado apretar a mano el tornillo de sujeción (se encuentra lateralmente en la brida) para dejar fijado el termómetro.

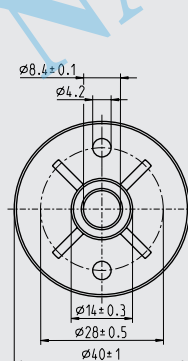
Brida modelo A48, D61



Brida modelo A48, D50



Brida modelo A51, D40



Recomendación sobre los taladros para el bulbo:

Ø 9,2 + 0,1

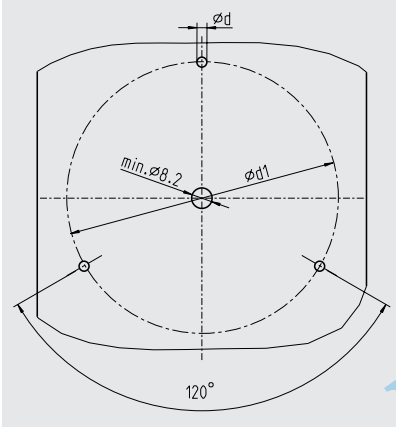
Ø 9,2 + 0,1

Ø 8,2 + 0,1

Montaje con borde dorsal

1. En base a la medida del borde de fijación, efectuar los taladros en la pared del conducto de aire prevista para ello (véase la figura más abajo).
2. Introducir el bulbo del termómetro en el taladro central, hasta que el borde de fijación se sitúa sobre la pared del conducto de aire. Fijarlo con tornillos adecuados y un destornillador.

Borde de fijación dorsal, modelo A51



5.3 Error de disipación térmica

Errores causados por la disipación del calor se producen cuando la temperatura del espacio de medición que se desea indicar es muy baja, de modo que la masa del sensor de temperatura se percibe como capacidad térmica. Estos fenómenos también pueden producirse con una profundidad errónea de montaje, cuando el accesorio de fijación está sujeto a un buen conductor de calor (placas de acero o similares) y existe una diferencia de temperatura significativa entre la temperatura a medir y la temperatura del elemento de fijación.

5.4 Control del indicador

El control del indicador debería realizarse solo en comparación con un instrumento más exacto o calibrado. La temperatura de control tiene que mantenerse constante. Con temperaturas variables aparecen errores de lectura causados por los diferentes tiempos de activación de los sensores.

En caso de debida inmersión completa de termómetros **sin** vaina, respetar un tiempo de espera mínimo de 10 minutos para una compensación de temperatura.

En caso de debida inmersión completa de termómetros **con** vaina, respetar un tiempo de espera mínimo > 15 minutos para una compensación de temperatura.

Un control del indicador debería llevarse a cabo 1 o 2 veces al año.

5.5 Ajuste del indicador

(no en termómetros para apoyar modelo A46.11)



El tornillo en el extremo del bulbo (véase la figura) sirve para la corrección del indicador. Un giro del tornillo provoca una modificación inmediata del valor indicado, por lo que debería realizarse únicamente previa consulta al fabricante. Una vez efectuada la consulta, llevar a cabo los pasos 1 - 4.

1. Retirar el instrumento del proceso.
2. Dejar enfriar el instrumento a la temperatura ambiente.
3. Sostener el instrumento sujetándolo de la caja (¡NO del bulbo!), girar con un destornillador el “tornillo” situado en el extremo del bulbo hasta que se haya compensado el valor de la diferencia de temperatura detectada (en sentido horario para aumentar, en sentido antihorario para reducir el valor indicado).
4. Realizar el control del indicador (véase el capítulo 5.4 “Control del indicador”).

6. Errores

Personal: personal especializado

Herramientas: llave de boca, destornillador plano



¡CUIDADO!

Lesiones corporales, daños materiales y del medio ambiente

Si no se pueden solucionar los defectos mencionados se debe poner el dispositivo inmediatamente fuera de servicio.

- ▶ Asegurar que el instrumento ya no esté sometido a presión y protegerlo contra una puesta en marcha accidental.
- ▶ Contactar con el fabricante.
- ▶ En caso de devolución, observar las indicaciones del capítulo 8.2 “Devolución”.



¡ADVERTENCIA!

Lesiones corporales, daños materiales y del medio ambiente causados por medios peligrosos

En caso de contacto con medios peligrosos, medios nocivos para la salud (p. ej. corrosivas, tóxicas, cancerígenas) y con sistemas de refrigeración o compresores existe el peligro de lesiones corporales, daños materiales y del medio ambiente.

El instrumento puede haber sido expuesto a medios agresivos con temperaturas extremas o presiones altas o vacío.

- ▶ Con estos medios deben observarse en cada caso, además de todas las reglas generales, las disposiciones pertinentes.



Datos de contacto véase el capítulo 1 “Información general” o parte posterior del manual de instrucciones.

Errores	Causas	Medidas
Se indica un valor erróneo	Se ha producido un fallo	Reemplazar el instrumento de medición
	Existe un desplazamiento del punto cero	Llevar a cabo un ajuste del indicador (véase el capítulo 5.5 “Ajuste del indicador”).
	Error de disipación térmica	Comprobar la selección del instrumento y la situación de montaje (véase el capítulo 5.3 “Error de disipación térmica”)
Hay escape del medio (fuga)	El material de la vaina es inadecuado	Utilizar una vaina adecuada y reemplazar el instrumento de medición
	Sellado de la vaina averiado	Reemplazar el sellado
	Presión de proceso inadmisiblemente elevada	Detener la instalación, adaptar la presión de proceso y eventualmente reemplazar la vaina y el instrumento de medición (véase el capítulo 8.1 “Desmontaje”)

7. Mantenimiento y limpieza



Datos de contacto véase el capítulo 1 “Información general” o parte posterior del manual de instrucciones.

7.1 Mantenimiento

¡Los termómetros bimetálicos no necesitan mantenimiento.

Un control del indicador debería llevarse a cabo 1 o 2 veces al año (véase el capítulo 5.4 “Control del indicador”).

Todas las reparaciones solamente las debe efectuar el fabricante.

ES

7.2 Limpieza



¡CUIDADO!

Lesiones corporales, daños materiales y del medio ambiente

Una limpieza inadecuada provoca lesiones corporales, daños materiales y del medio ambiente. Medios residuales en el instrumento desmontado pueden causar riesgos para personas, medio ambiente e instalación.

► Realizar el proceso de limpieza tal como se describe a continuación.

1. Antes de limpiar el instrumento, desconectarlo de la red.
2. Utilizar el equipo de protección necesario.
3. Limpiar el instrumento con un trapo húmedo (mojado en lejía de jabón).



¡CUIDADO!

Daño al dispositivo

¡Una limpieza inadecuada puede dañar el dispositivo!

- No utilizar productos de limpieza agresivos.
- No utilizar ningún objeto puntiagudo o duro para la limpieza.

8. Desmontaje, devolución y eliminación de residuos

8.1 Desmontaje



¡ADVERTENCIA!

Lesiones corporales, daños materiales y del medio ambiente por medios residuales

En caso de contacto con medios peligrosos, medios nocivos para la salud (p. ej. corrosivas, tóxicas, cancerígenas) y con sistemas de refrigeración o compresores existe el peligro de lesiones corporales, daños materiales y del medio ambiente.

- ▶ Limpiar el dispositivo desmontado (tras servicio) antes de proceder con su almacenaje, para proteger a las personas y el medio ambiente de la exposición a restos de medios adherentes.
- ▶ Observar la ficha de datos de seguridad correspondiente al medio.



¡ADVERTENCIA!

Riesgo de quemaduras

Peligro debido a medios muy calientes que se escapan durante el desmontaje.

- ▶ ¡Dejar enfriar el instrumento lo suficiente antes de desmontarlo!
- ▶ La caja puede calentarse durante el uso. Nunca tocar el termómetro caliente.



¡ADVERTENCIA!

Lesión corporal

Al desmontar existe el peligro debido a los medios agresivos y altas presiones.

- ▶ Observar la ficha de datos de seguridad correspondiente al medio.
- ▶ Desmontar el instrumento o la vaina sólo si no están sometidos a presión.

8.2 Devolución

Es imprescindible observar lo siguiente para el envío del instrumento:

Todos los instrumentos enviados a WIKA deben estar libres de sustancias peligrosas (ácidos, lejías, soluciones, etc.) y, por lo tanto, deben limpiarse antes de devolver.



¡ADVERTENCIA!

Lesiones corporales, daños materiales y del medio ambiente por medios residuales

Medios residuales en el instrumento desmontado pueden causar riesgos para personas, medio ambiente e instalación.

- ▶ En caso de sustancias peligrosas adjuntar la ficha de datos de seguridad correspondiente al medio.
- ▶ Limpiar el dispositivo, consultar el capítulo 7.2 "Limpieza".

8. Desmontaje, devolución ... / 9. Datos técnicos

Utilizar el embalaje original o un embalaje adecuado para la devolución del instrumento.

Para evitar daños:

1. Colocar el instrumento junto con el material aislante en el embalaje.
Aislar uniformemente todos los lados del embalaje de transporte.
2. Si es posible, adjuntar una bolsa con secante.
3. Aplicar un marcaje que indique que se trata de un envío de un instrumento de medición altamente sensible.



Comentarios sobre el procedimiento de las devoluciones encuentra en el apartado "Servicio" en nuestra página web local.

ES

8.3 Eliminación de residuos

Una eliminación incorrecta puede provocar peligros para el medio ambiente. Eliminar los componentes de los instrumentos y los materiales de embalaje conforme a los reglamentos relativos al tratamiento de residuos y eliminación vigentes en el país de utilización.

9. Datos técnicos

Datos técnicos	Modelo A43
Diámetro nominal	63, 80, 100
Rango de indicación	-30 ... +50 °C a 0 ... 120 °C
Rango de servicio	Valor final de escala
Caja <ul style="list-style-type: none">■ Modelo A43.10■ Modelo A43.20■ Modelo A43.30	Aluminio Acero, galvanizado Plástico, negro
Conexión a proceso	Vaina G ½ B, latón
Bulbo	Aluminio
Vaina	Latón
Presión máx. de servicio admisible en la vaina	Máx. 6 bar
Exactitud de indicación	Clase 2 según EN 13190
Ajuste del indicador	En el extremo del bulbo
Ángulo de escala	aprox. 270°

9. Datos técnicos

Datos técnicos	Modelo E45
Diámetro nominal	63
Rango de indicación	20 ... 100 °C
Rango de servicio	Valor final de escala
Caja	Acero, galvanizado
Conexión a proceso	Bulbo liso, Ø 15 mm
Ajuste del indicador	En el extremo del bulbo
Ángulo de escala	aprox. 100°

Datos técnicos	Modelo A46
Diámetro nominal	50, 63, 80, 100
Rango de indicación	-30 ... +50 °C a 0 ... 160 °C
Rango de servicio	Valor final de escala
Caja	
■ Modelos A46.10, A46.11	Aluminio
■ Modelo A46.20	Acero, galvanizado
■ Modelo A46.30	Plástico, negro
Conexiones	
■ Modelos A46.10, A46.20, A46.30	Con vaina
■ Modelo A46.11	Forma de apoyo
Presión máx. de servicio admisible en la vaina	Máx. 6 bar
Ajuste del indicador	
■ Modelos A46.10, A46.20, A46.30	En el extremo del bulbo
■ Modelo A46.11	No
Ángulo de escala	aprox. 270°

ES

9. Datos técnicos

Datos técnicos	Modelo A48
Diámetro nominal	63, 80, 100, 160
Rango de indicación	-30 ... +50 °C a 0 ... 120 °C
Rango de servicio	Valor final de escala
Caja	Aluminio
Conexión a proceso	Brida, Ø d ₂ = 61 mm, acero galvanizado, regulable en bulbo
Bulbo	Aleación de cobre
Exactitud de indicación	Clase 2 según EN 13190
Ajuste del indicador	En el extremo del bulbo
Ángulo de escala	aprox. 270°

ES

Datos técnicos	Modelo A50
Diámetro nominal	63, 80, 100, 160
Rango de indicación	-30 ... +50 °C a 0 ... 200 °C
Rango de servicio	Valor final de escala
Caja	Aluminio
■ Modelo A50.10	Acero, galvanizado
■ Modelo A50.20	
Conexión a proceso	Vaina G ½ B, aleación de cobre
Vaina	Aleación de cobre, desmontable con tornillo de regulación
Presión máx. de servicio admisible en la vaina	Máx. 6 bar
Exactitud de indicación	Clase 2 según EN 13190
Ajuste del indicador	En el extremo del bulbo
Ángulo de escala	aprox. 270°

9. Datos técnicos

Datos técnicos	Modelo A51
Diámetro nominal	63, 80, 100
Rango de indicación	-30 ... +50 °C a 0 ... 250 °C
Rango de servicio	Valor final de escala
Caja	Acero, galvanizado
Conexiones <ul style="list-style-type: none">■ Aire acondicionado y ventilación■ Sustancias a medir líquidas	Conexión lisa, con borde de fijación dorsal Conexión lisa, con brida de plástico deslizable Conexión lisa, con diámetro de cuello de 18 mm para sujeción de la vaina
Bulbo	Aleación de cobre
Exactitud de indicación <ul style="list-style-type: none">■ Diseño de la vaina■ Brida de fijación y borde de fijación dorsal	Clase 1 según EN 13190 Clase 2 según EN 13190
Ajuste del indicador	En el extremo del bulbo
Ángulo de escala	aprox. 270°

Para más datos técnicos véanse las hojas técnicas WIKA

TM 43.01 (modelo A43)

TM 45.02 (modelo E45)

TM 46.02 (modelo A46)

TM 48.01 (modelo A48)

TM 50.03 (modelo A50)

TM 51.01 (modelo A51) y la documentación de pedido.

MAKGIL VIET NAM



MAKGIL VIET NAM

11484498.03.07/2017 EN/DE/FR/ES

WIKA subsidiaries worldwide can be found online at www.wika.com.
WIKA-Niederlassungen weltweit finden Sie online unter www.wika.de.
La liste des filiales WIKA dans le monde se trouve sur www.wika.fr.
Sucursales WIKA en todo el mundo puede encontrar en www.wika.es.



WIKAI Alexander Wiegand SE & Co. KG

Alexander-Wiegand-Straße 30

63911 Klingenberg • Germany

Tel +49 9372 132-0

Fax +49 9372 132-406

info@wika.de

www.wika.de